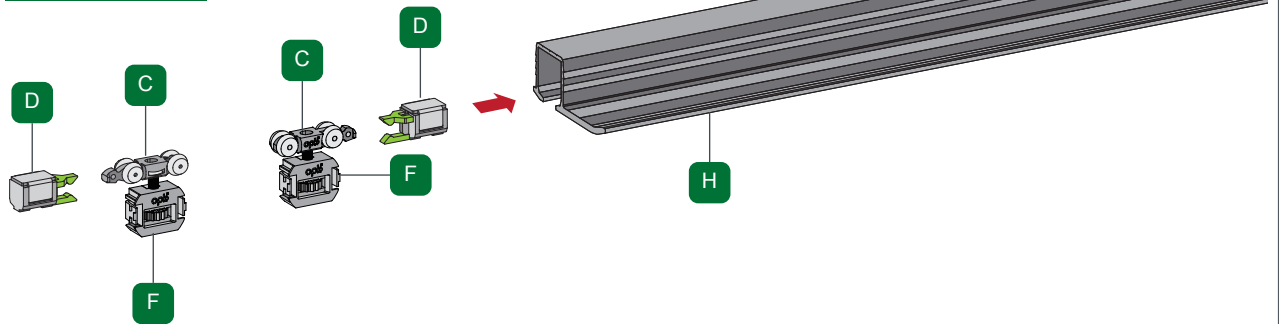
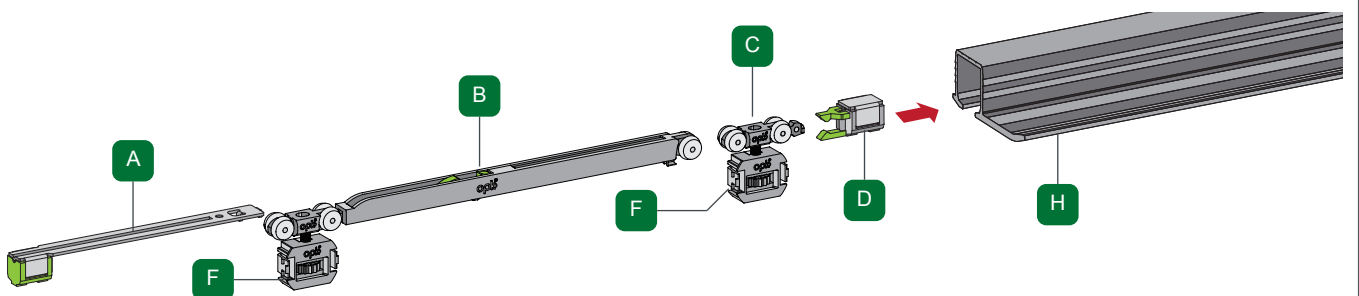


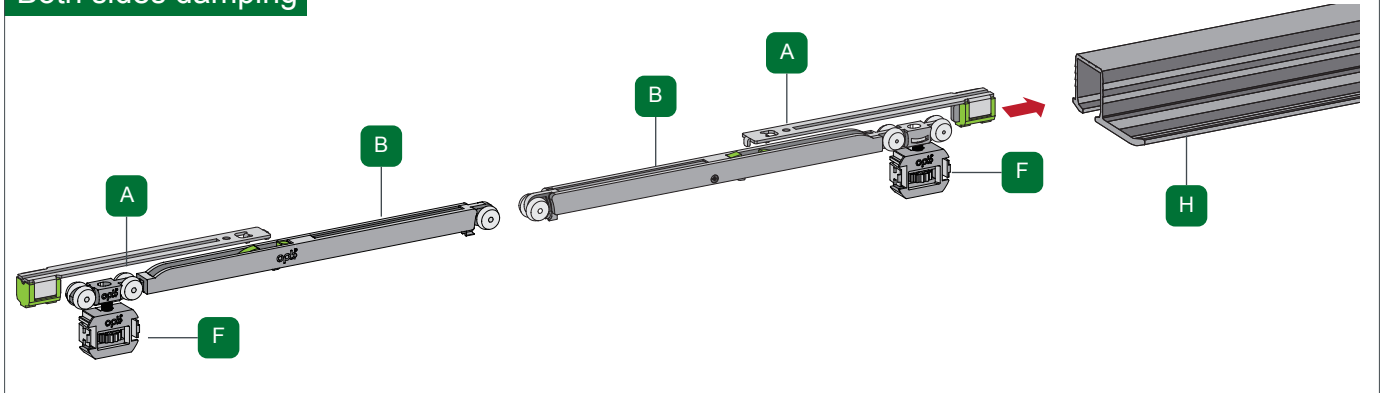
1 No damping



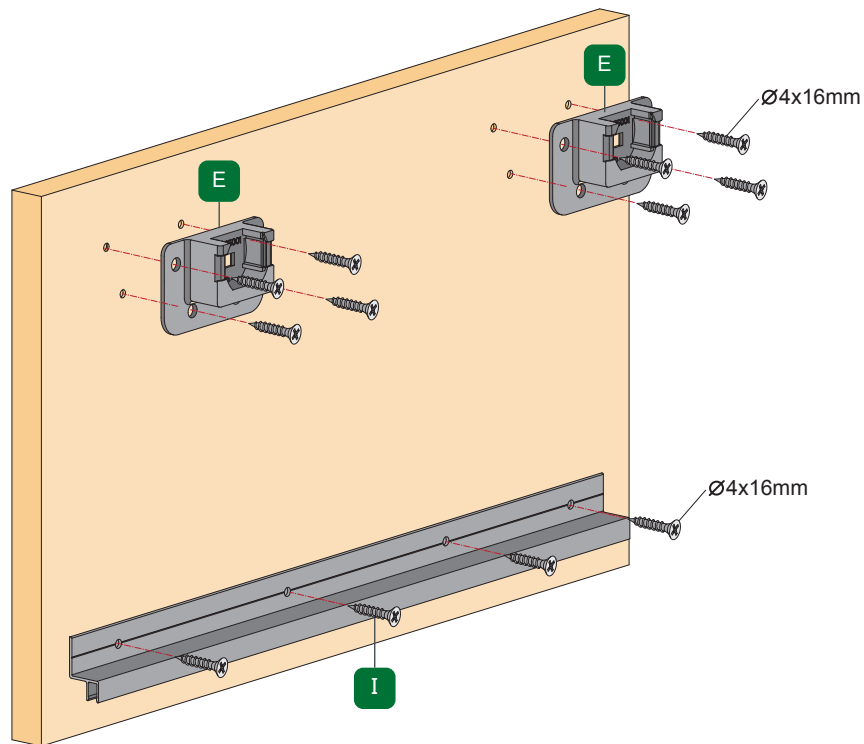
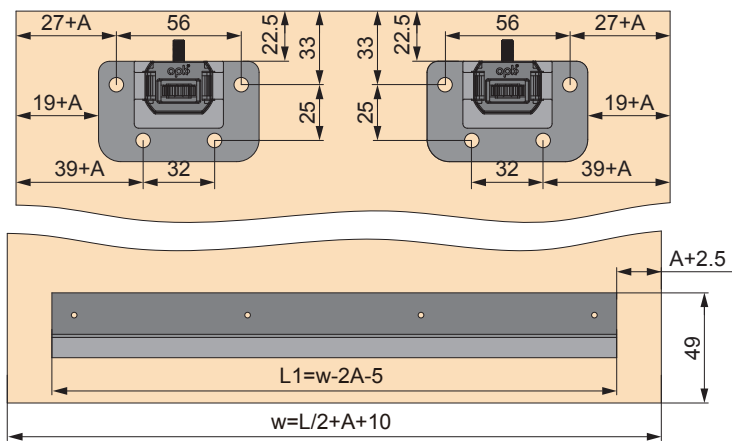
One side damping

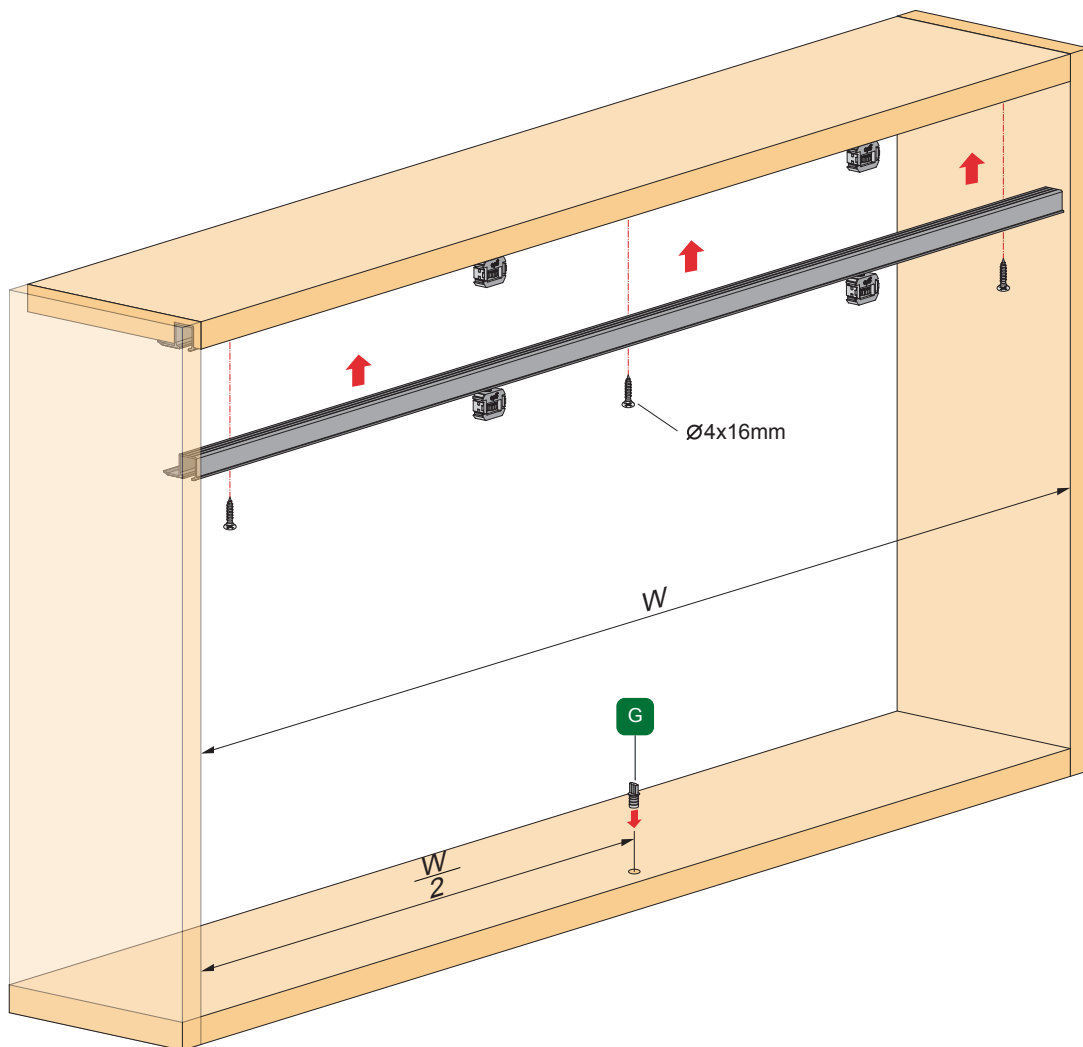
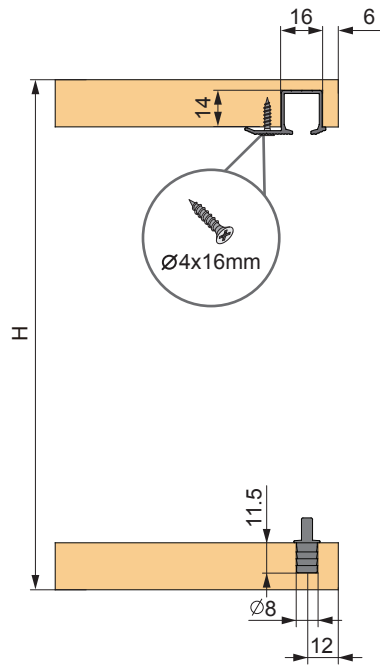


Both sides damping

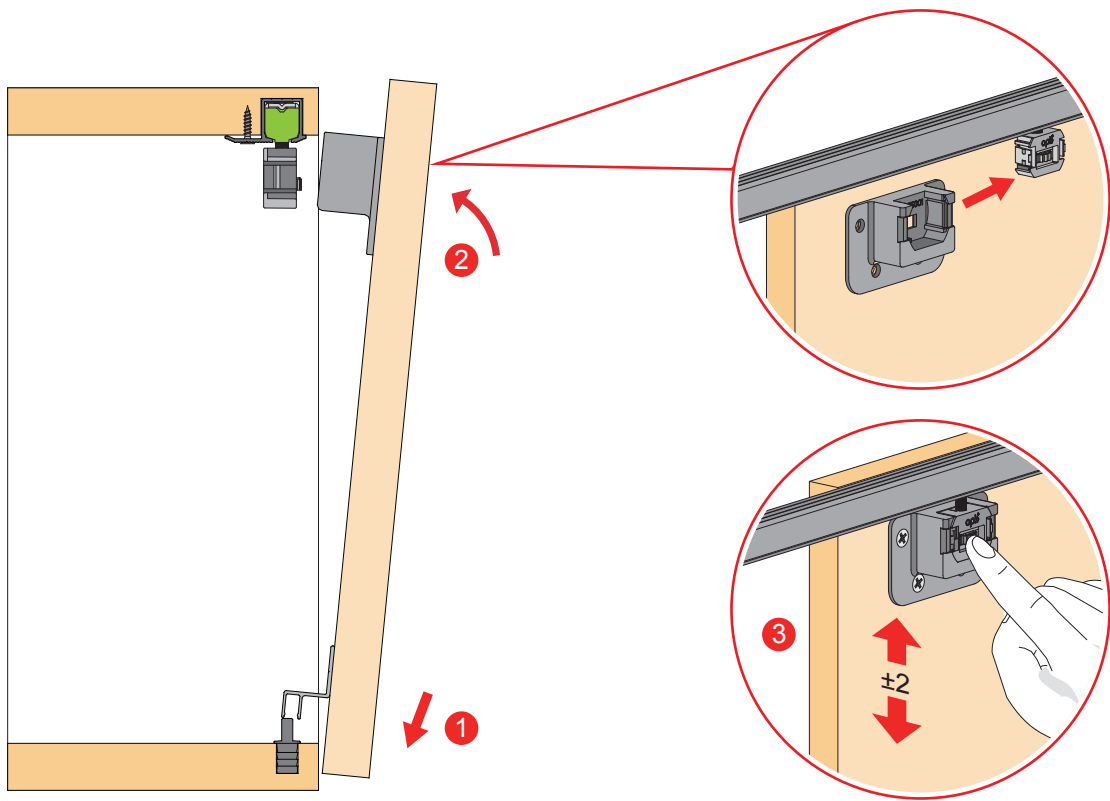


2





4



5

