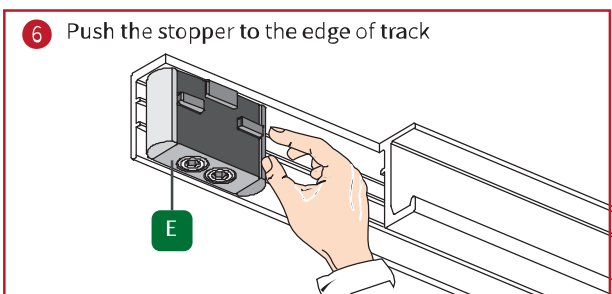
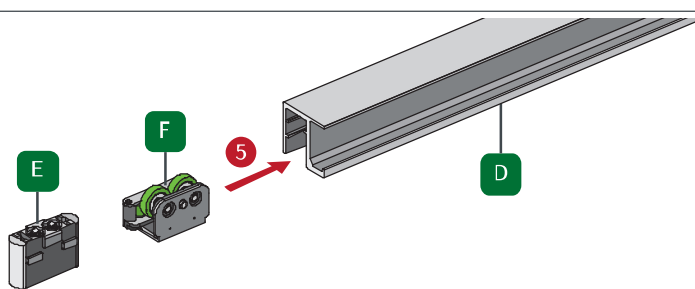
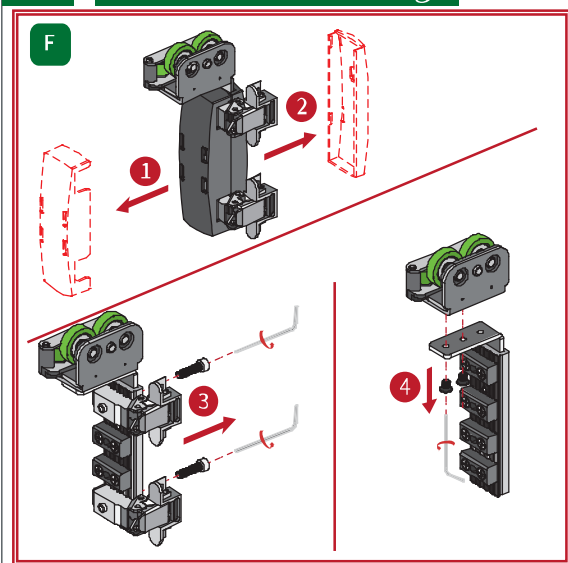
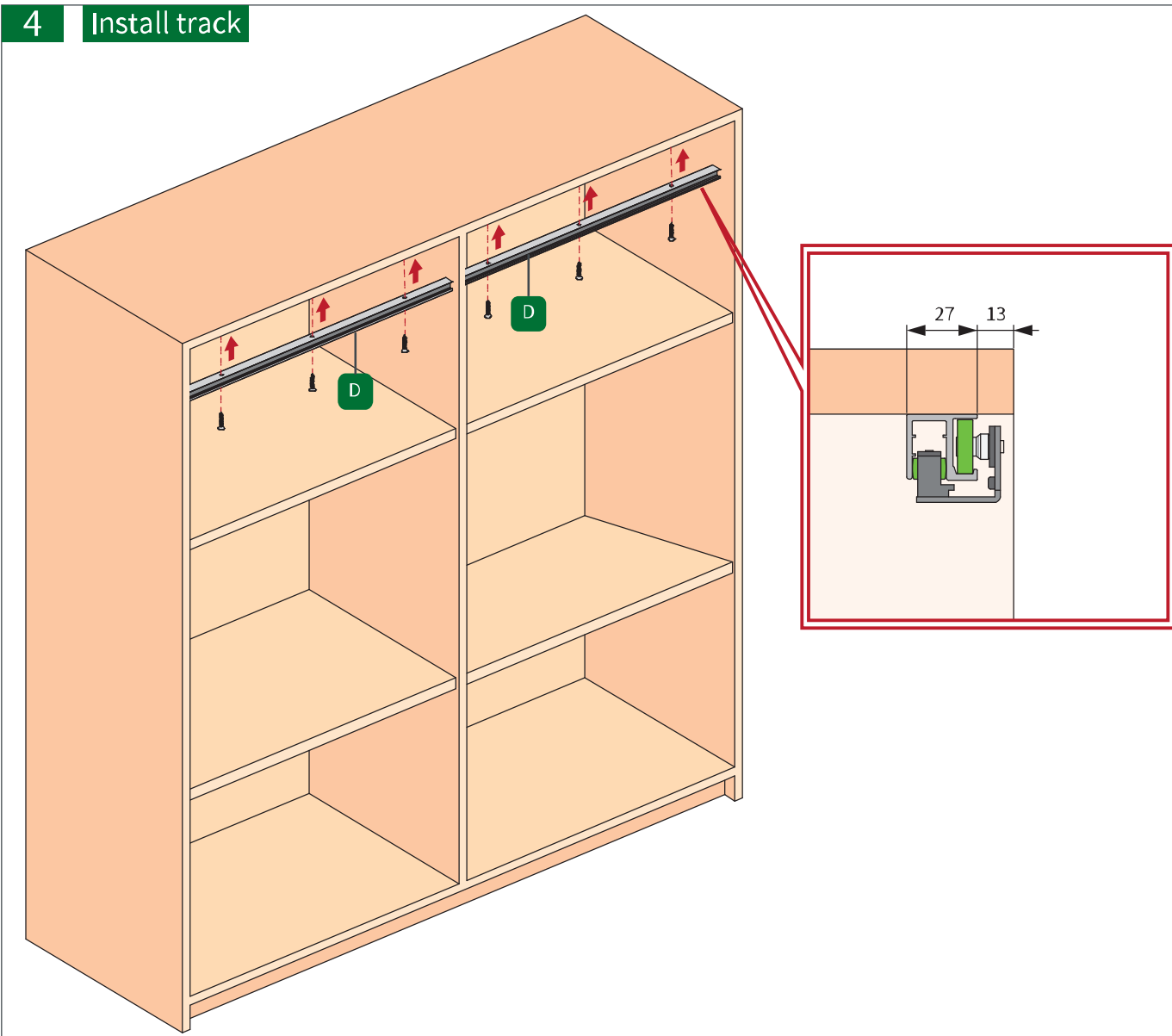


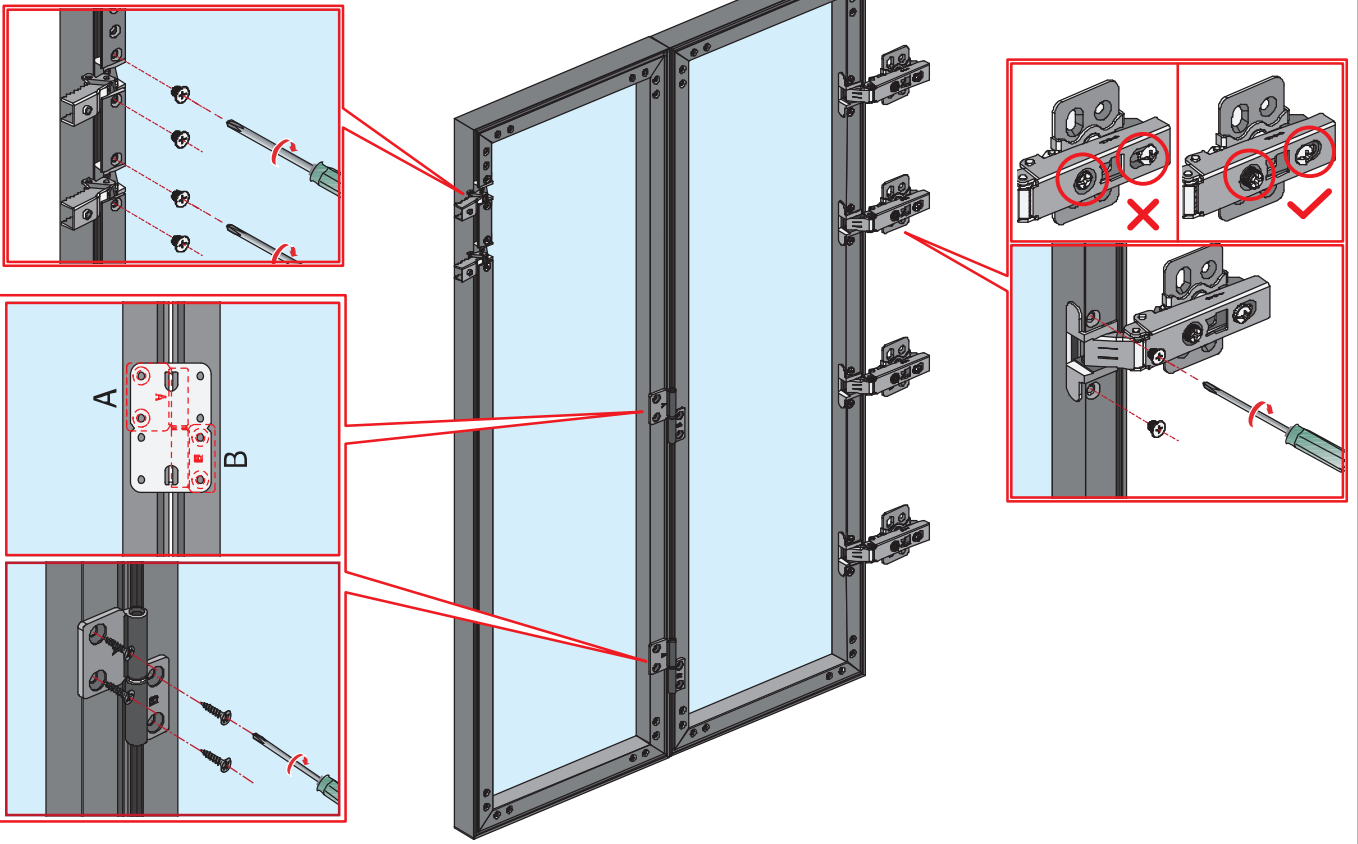
3 Install the track fittings



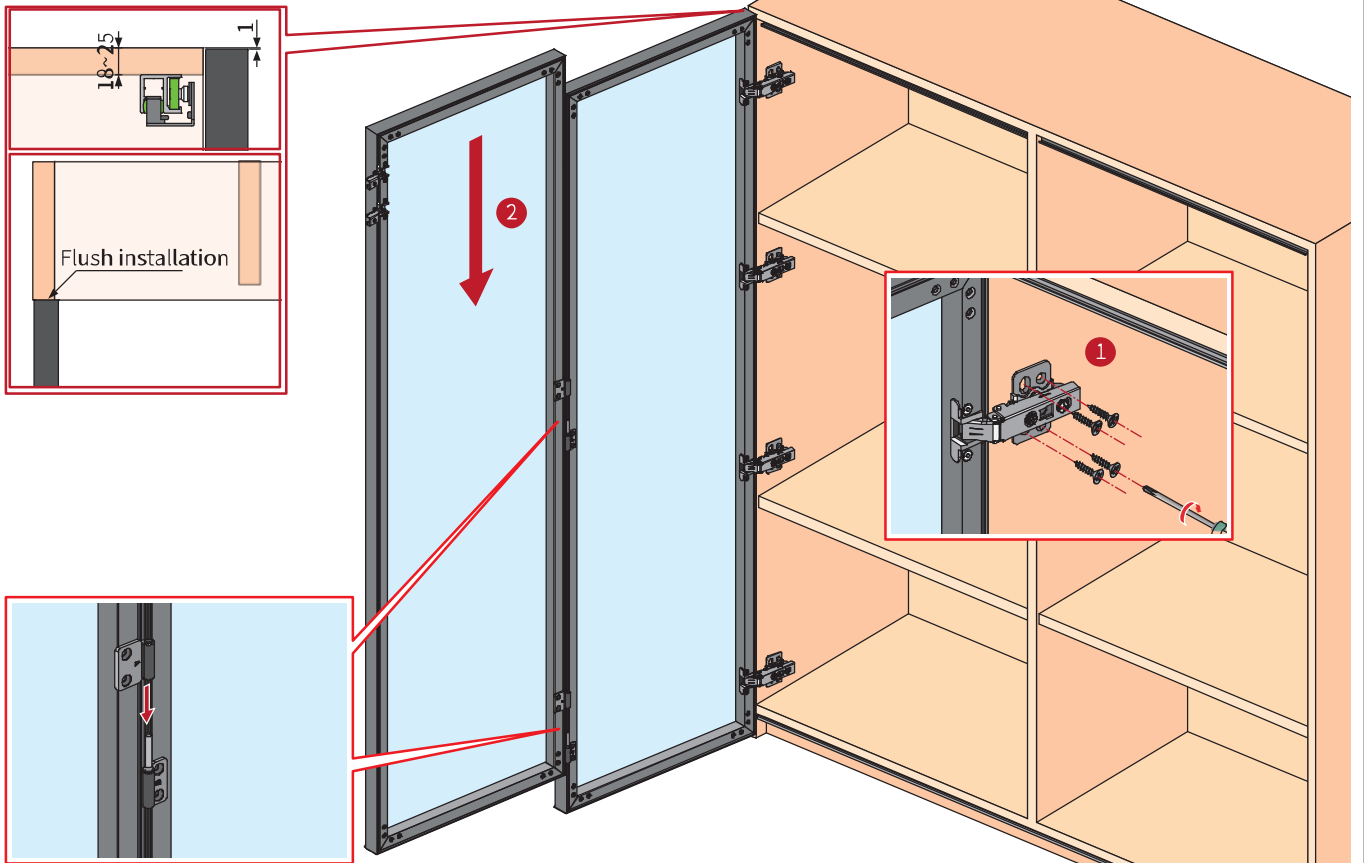
4 Install track



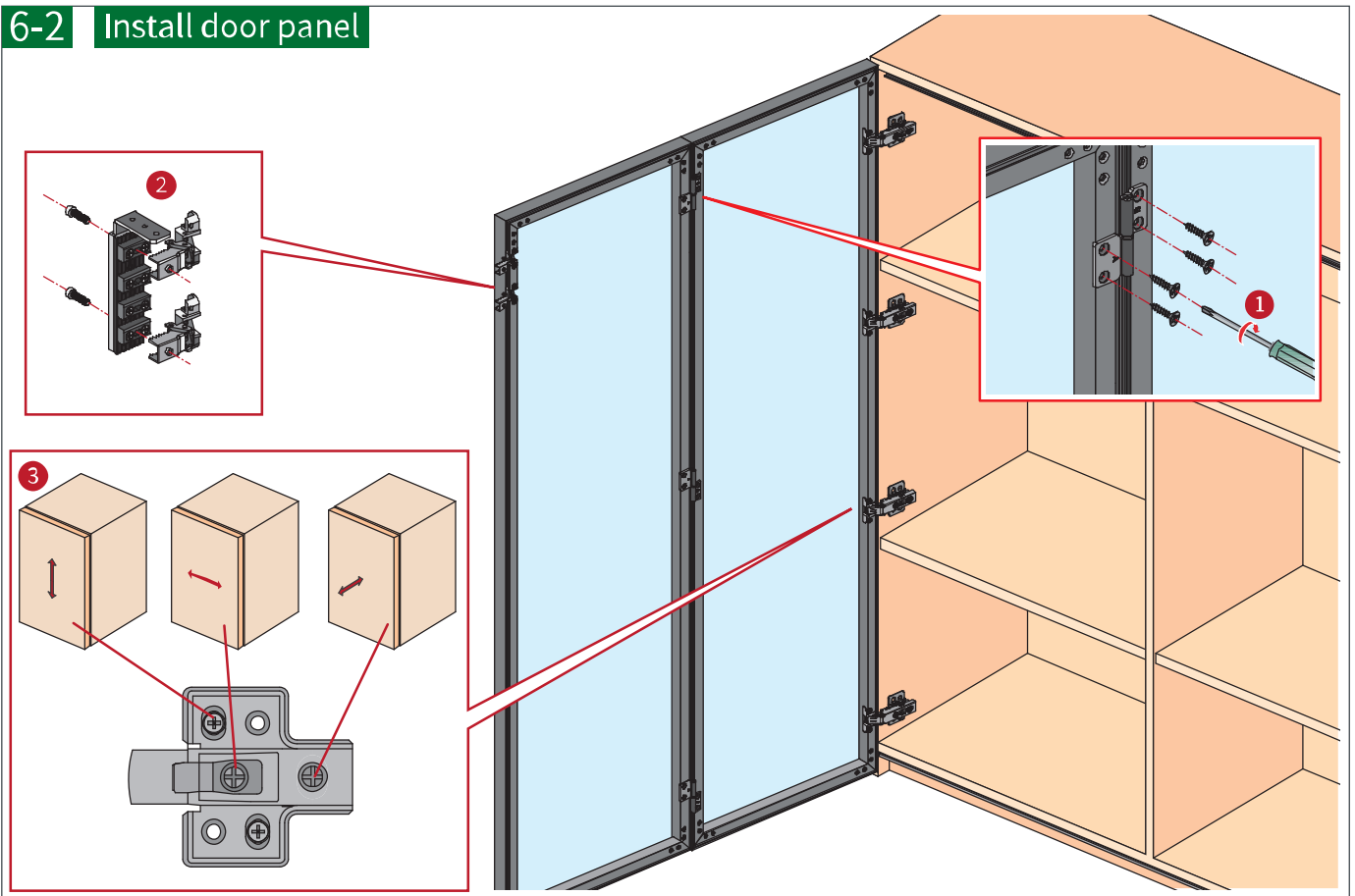
5 Install door panel fittings



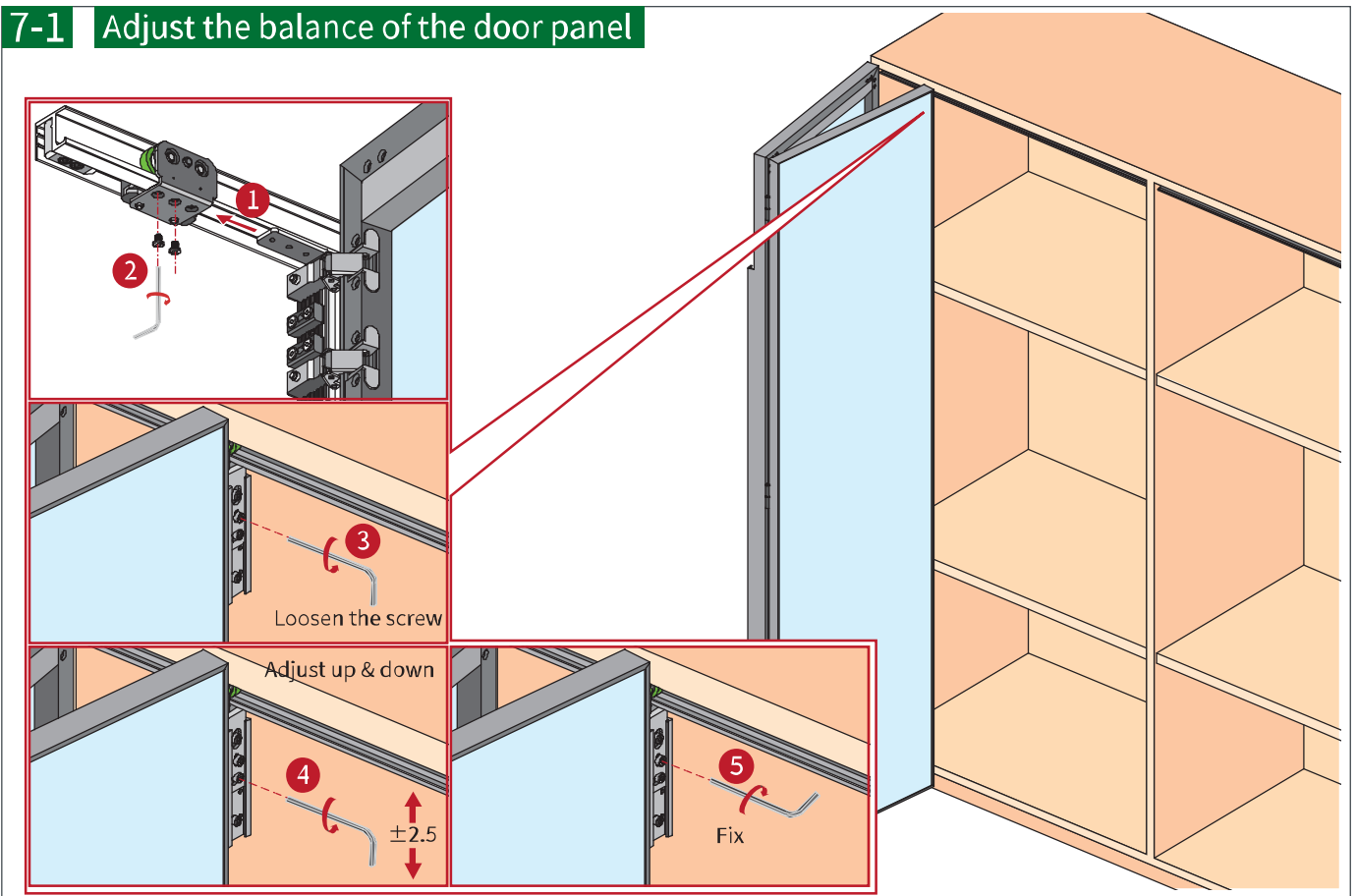
6-1 Install door panel



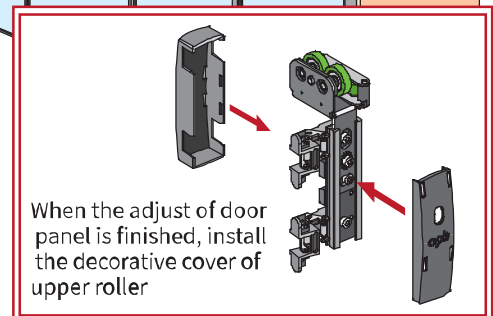
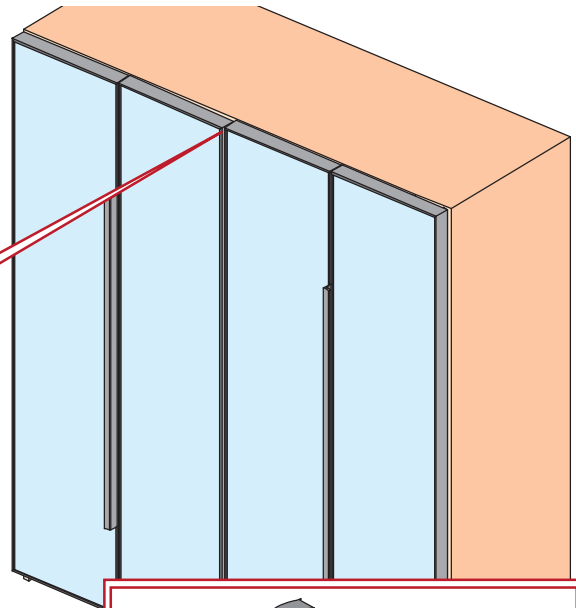
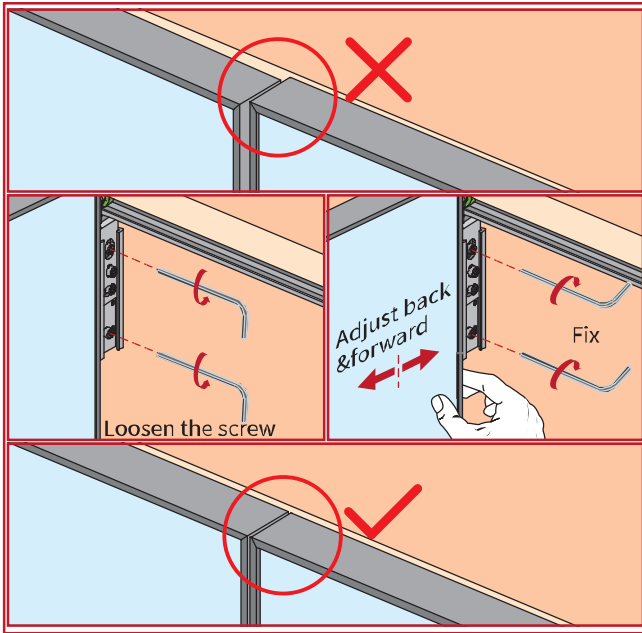
6-2 Install door panel



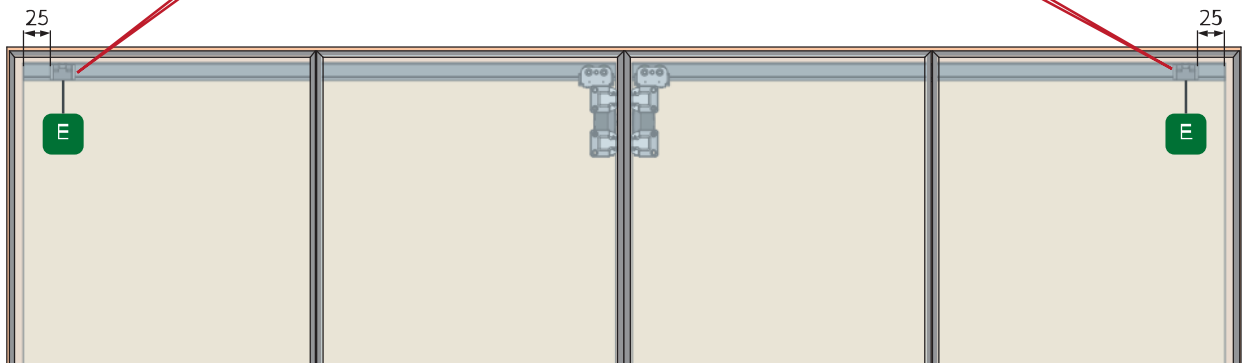
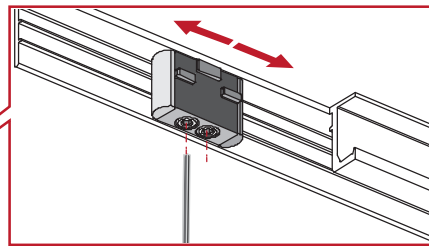
7-1 Adjust the balance of the door panel

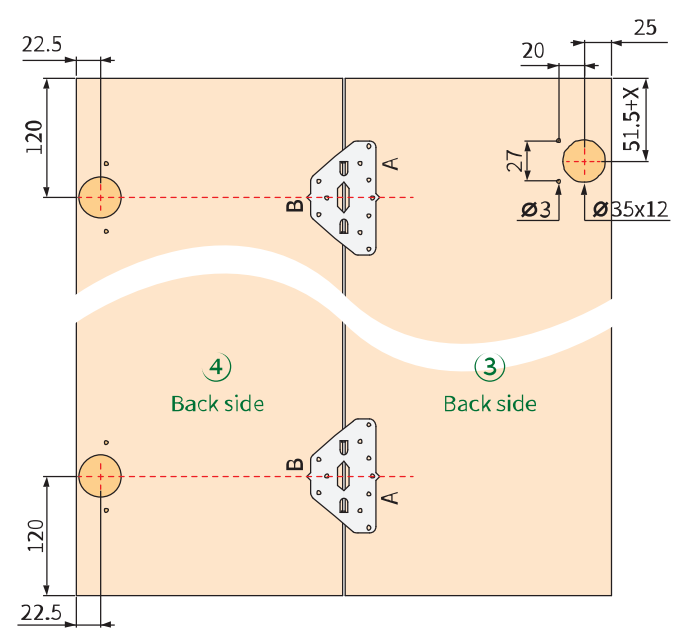
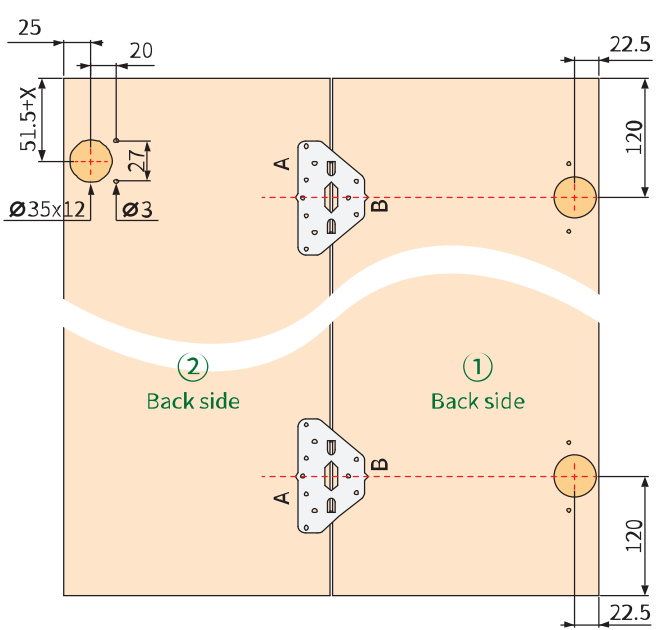
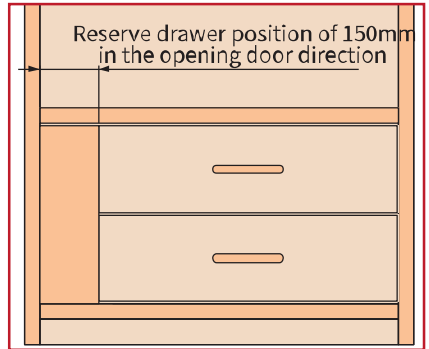
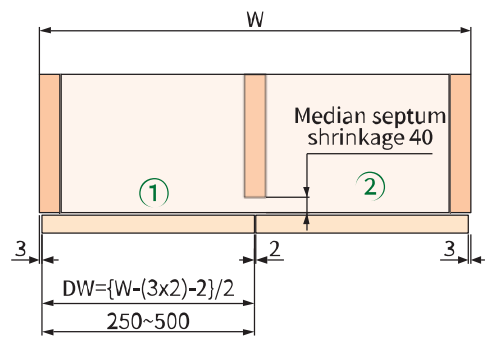
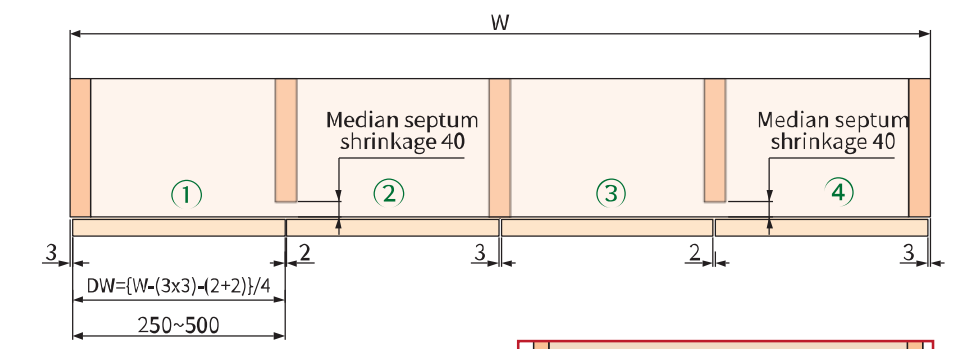
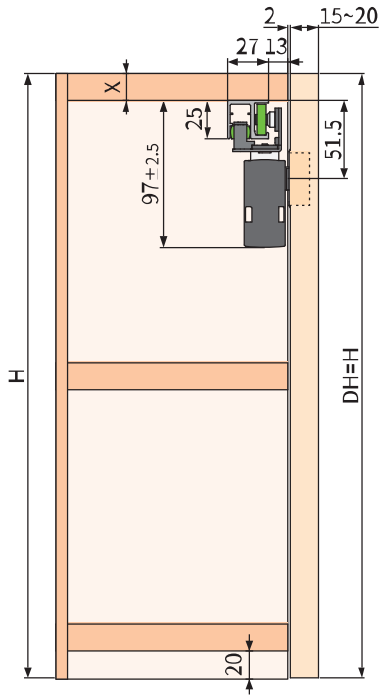
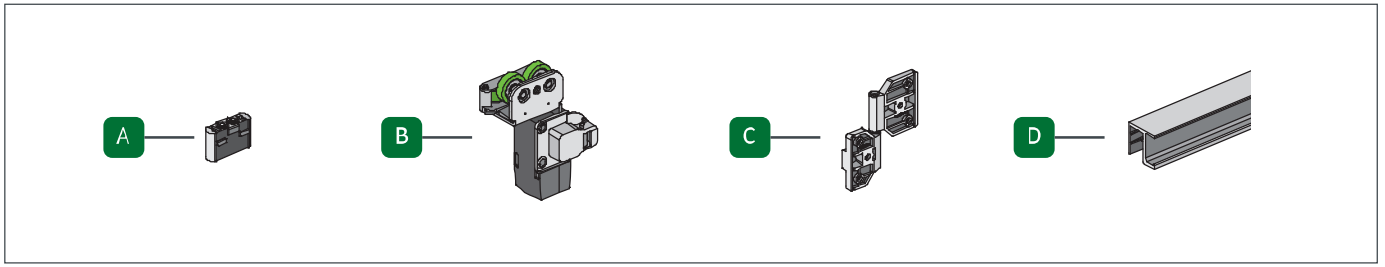


7-2 Adjust the balance of the door panel

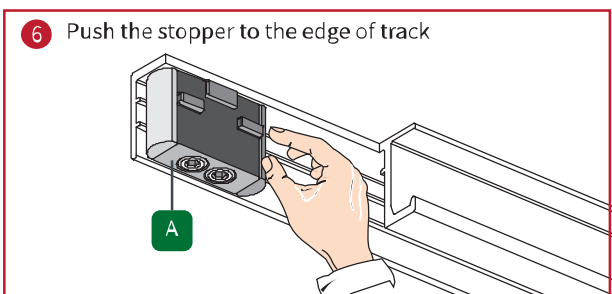
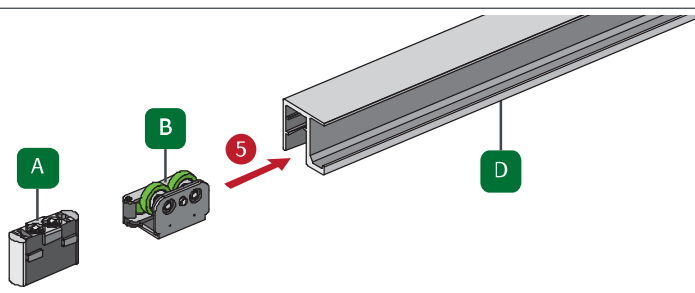
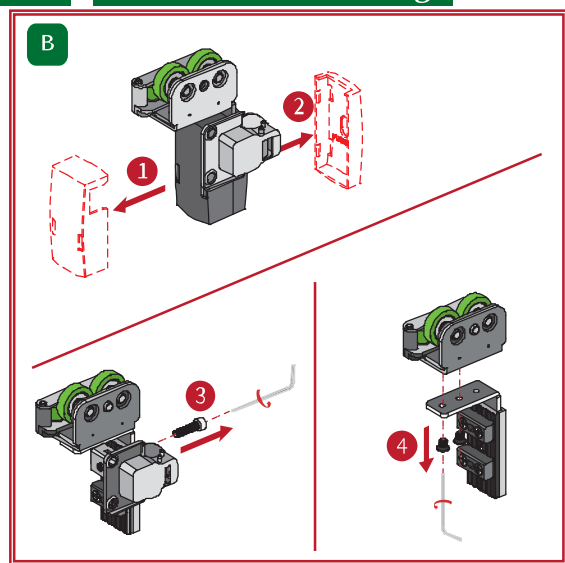


8 Location stopper

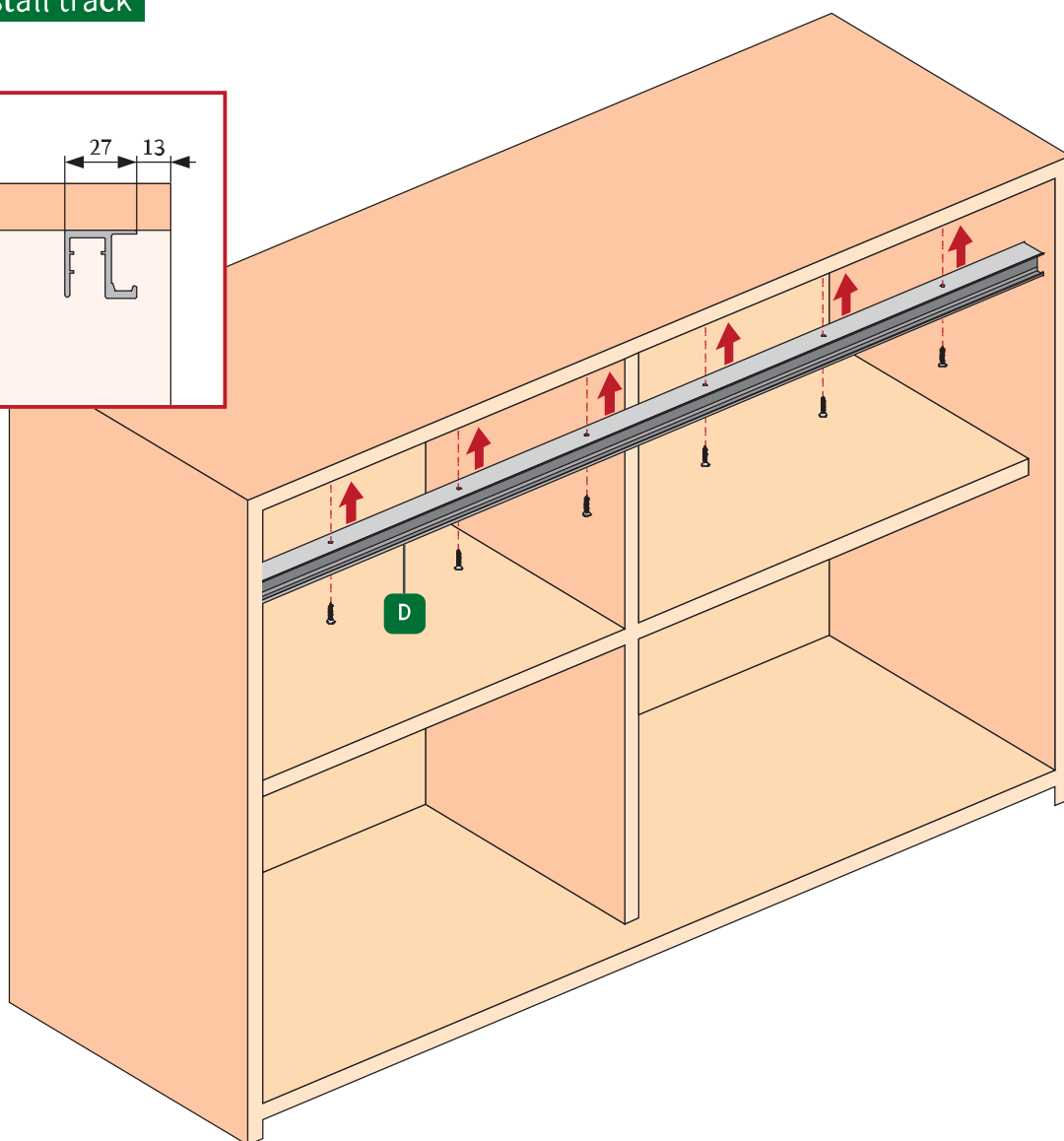
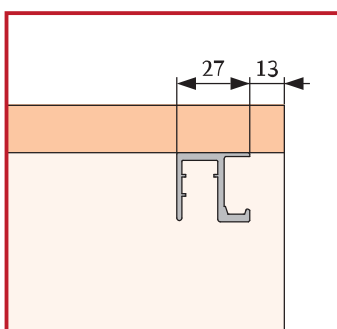


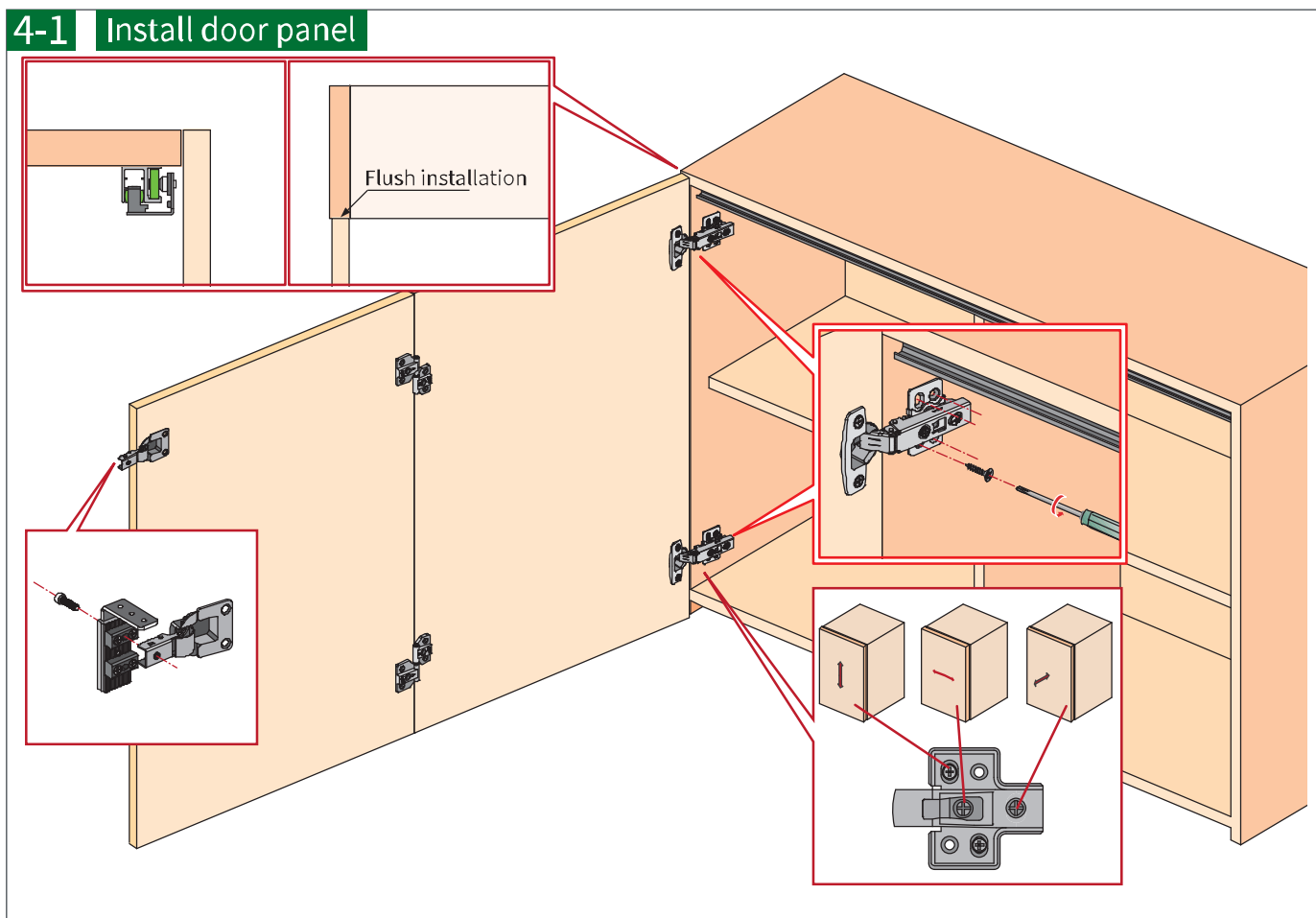
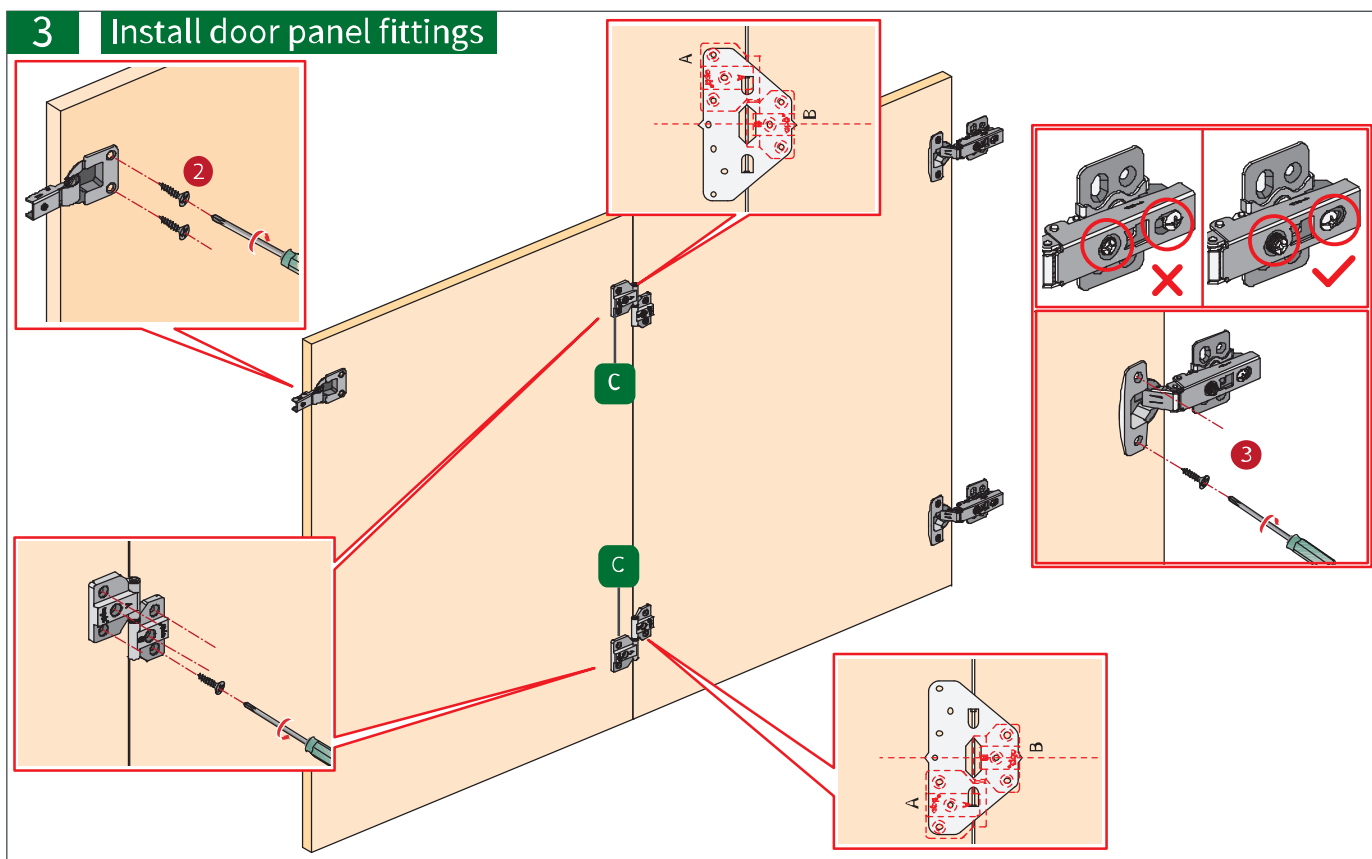


1 Install the track fittings

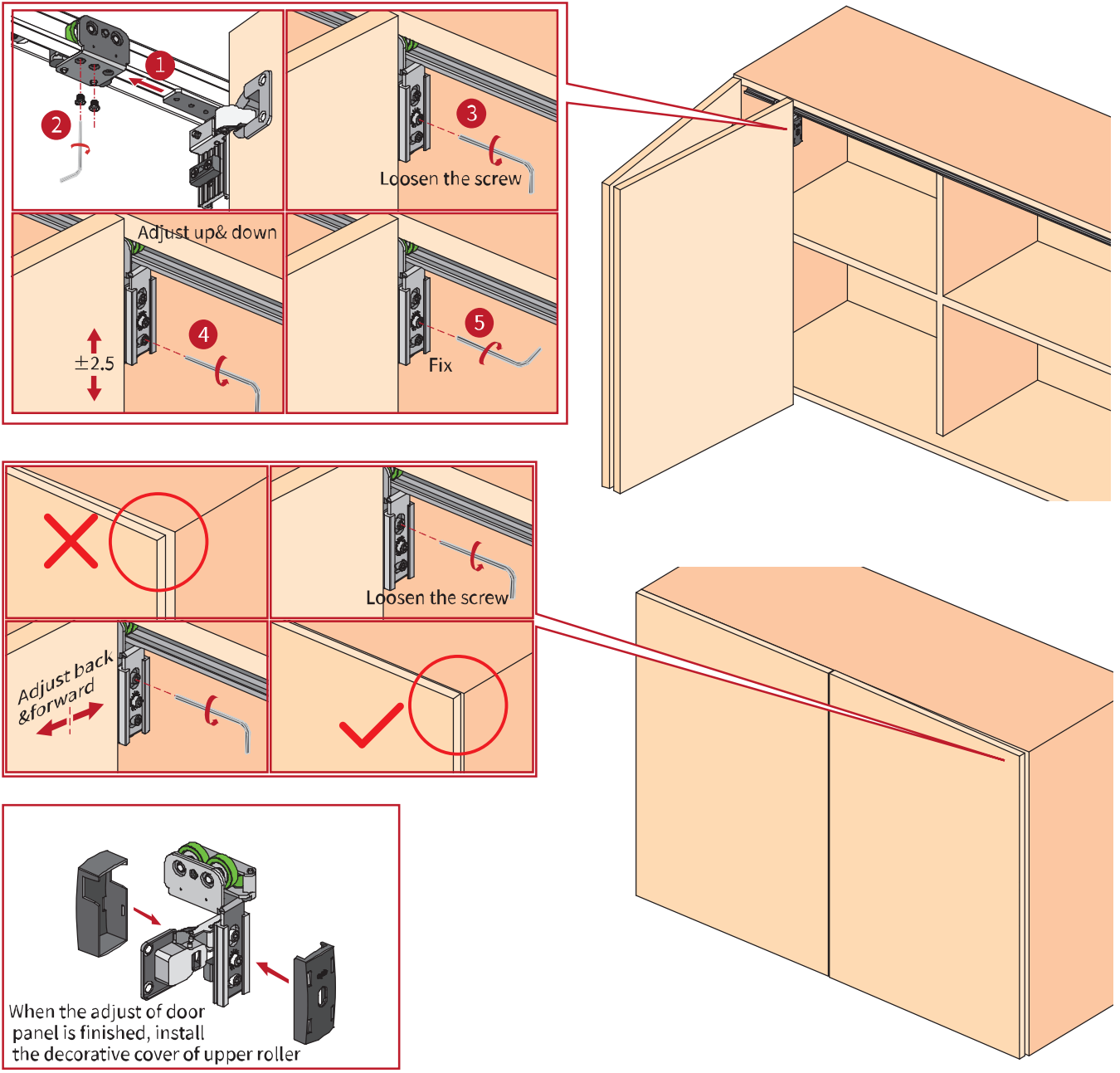


2 Install track

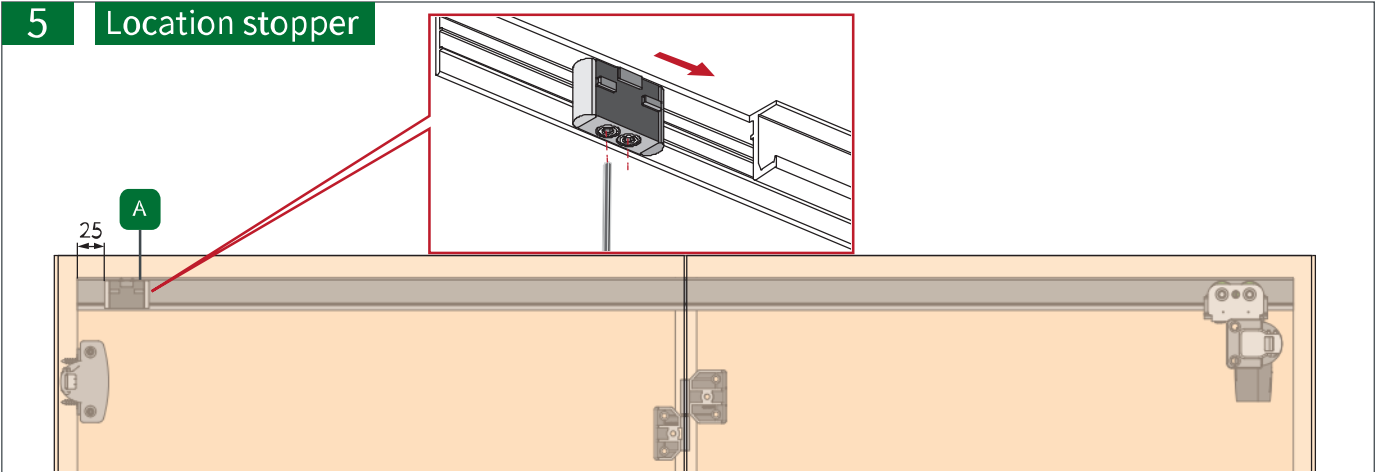




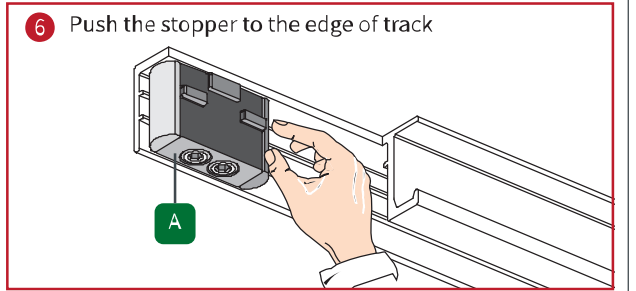
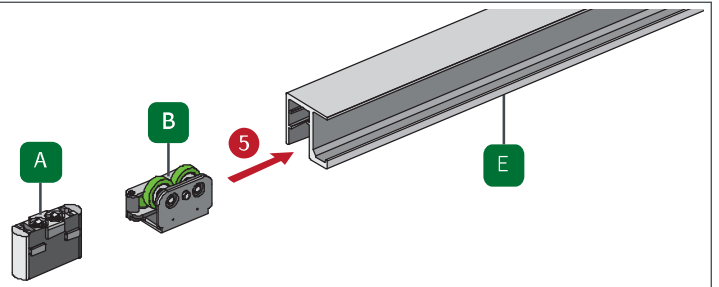
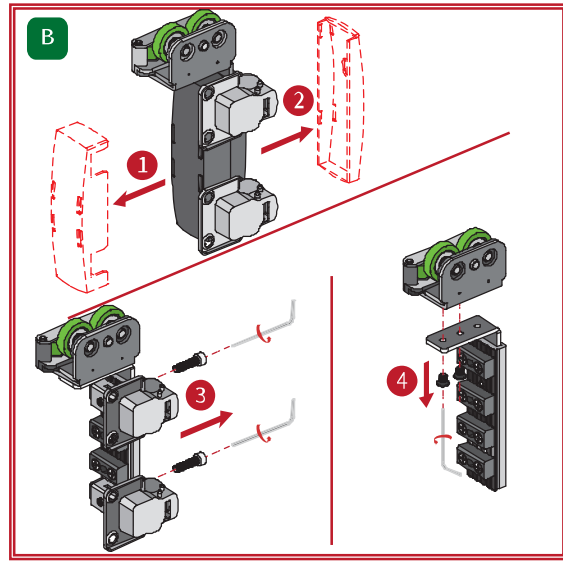
4-2 Install door panel Adjust the balance of the door panel



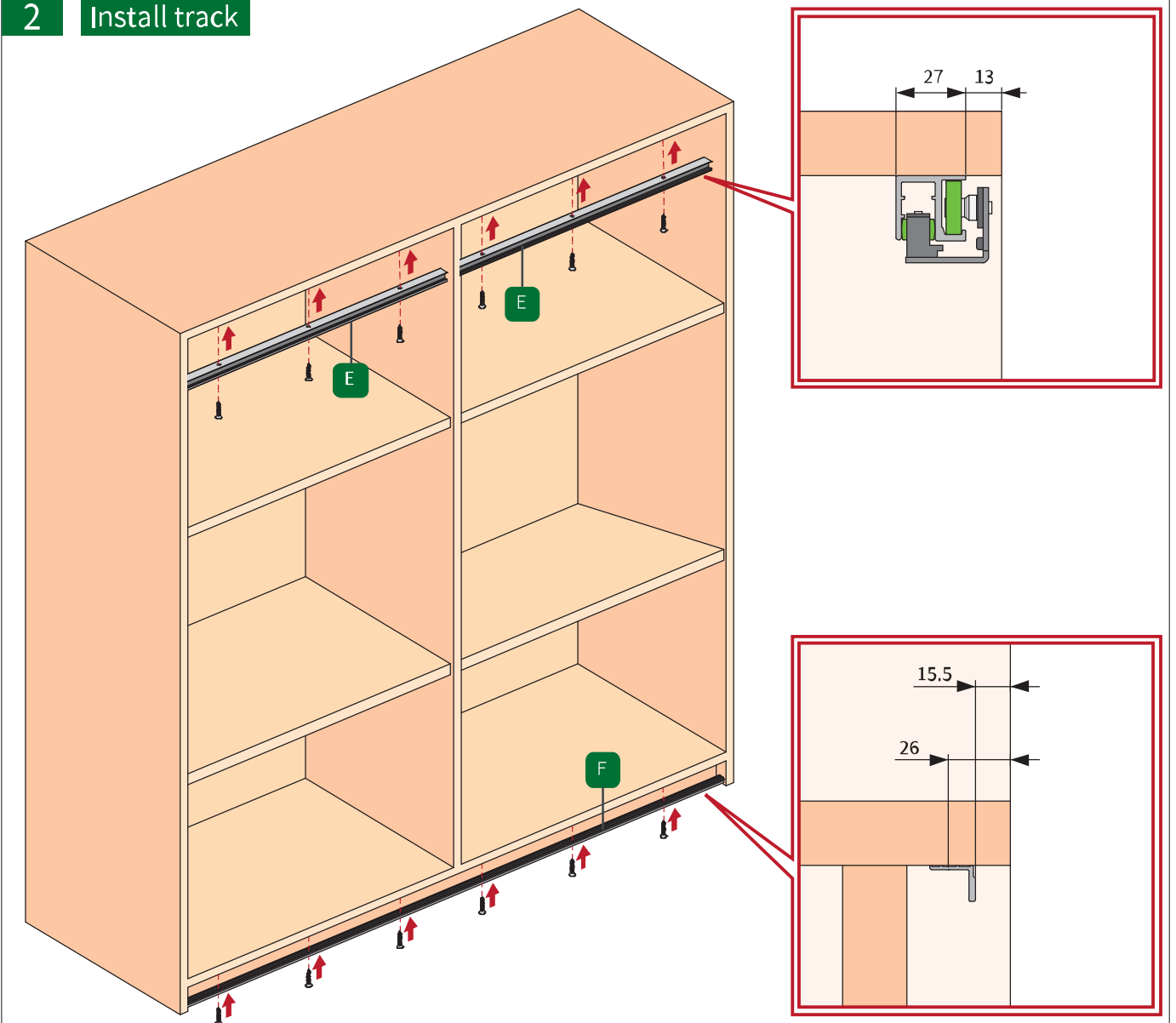
5 Location stopper



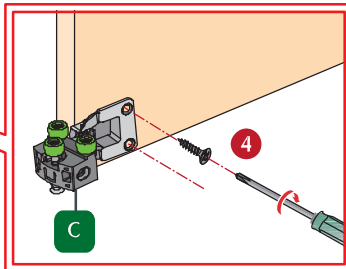
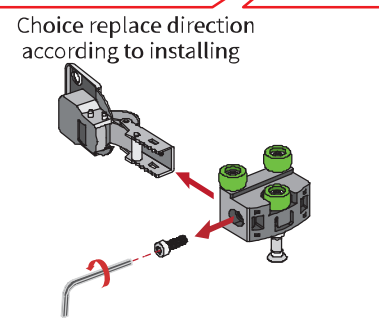
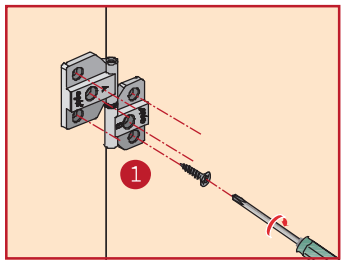
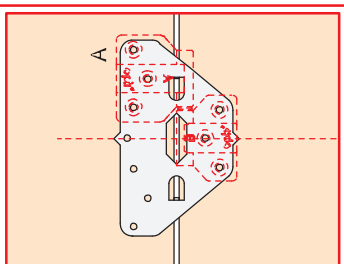
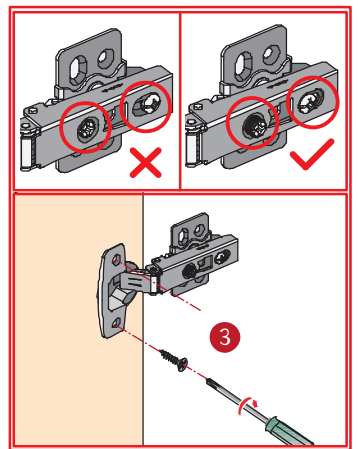
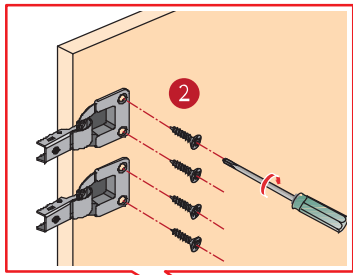
1 Install the track fittings



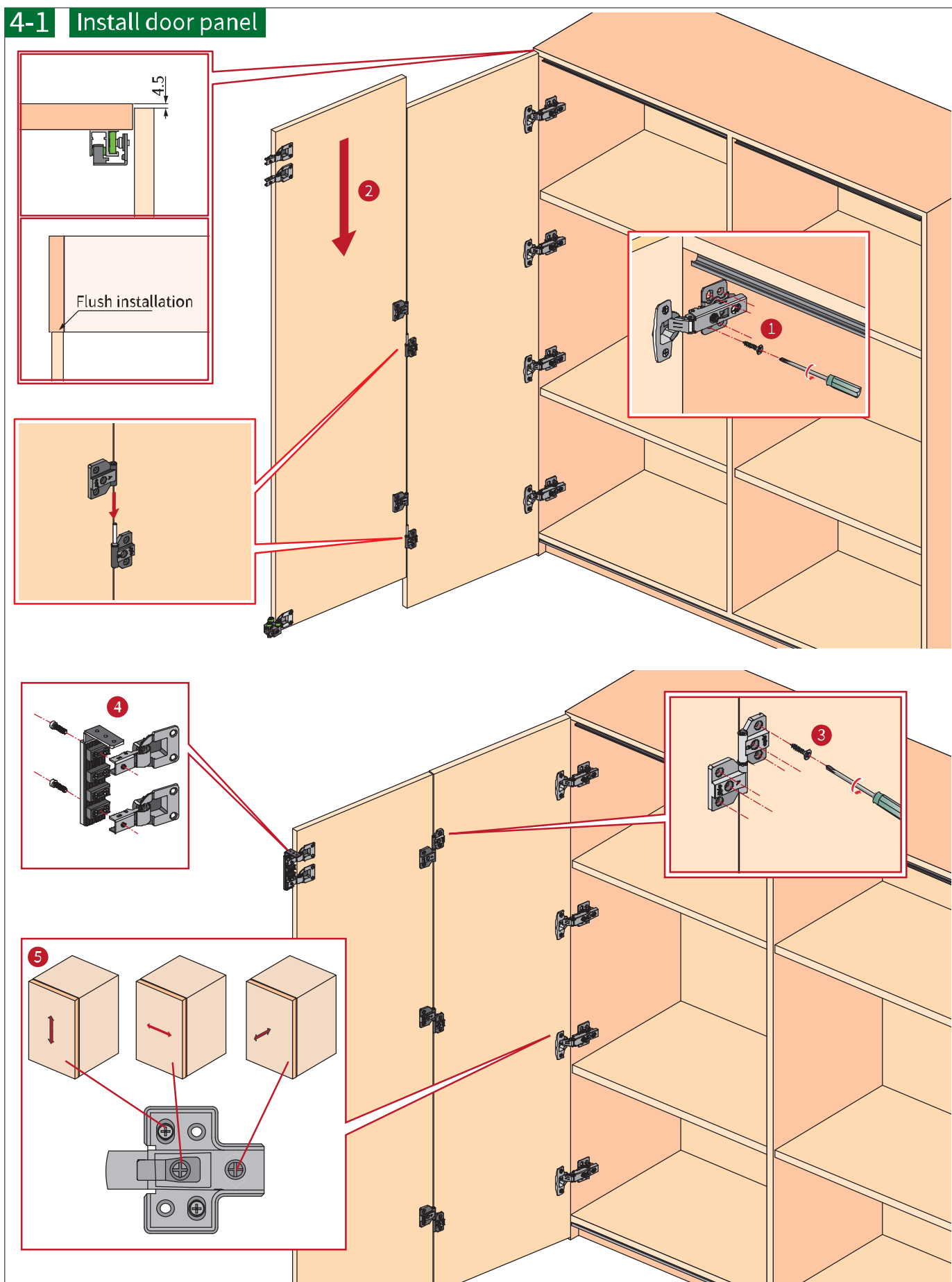
2 Install track



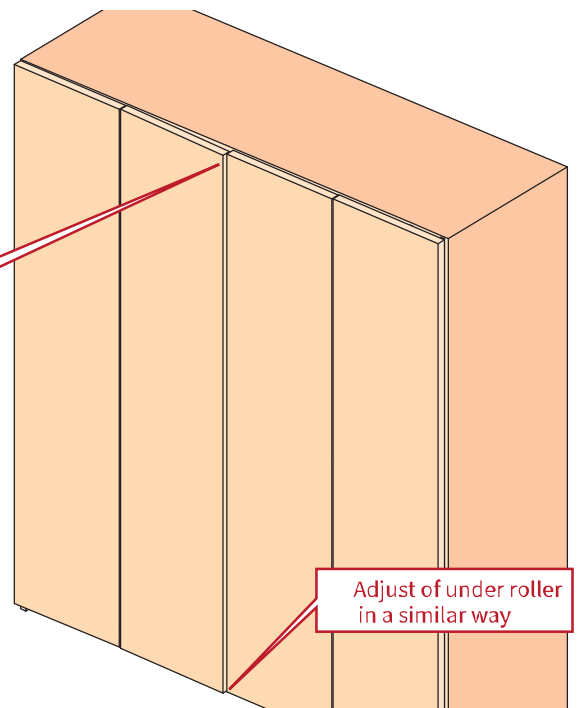
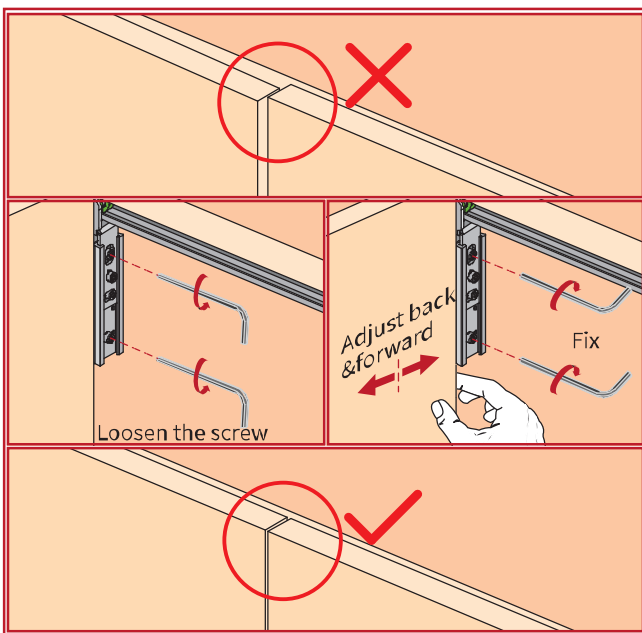
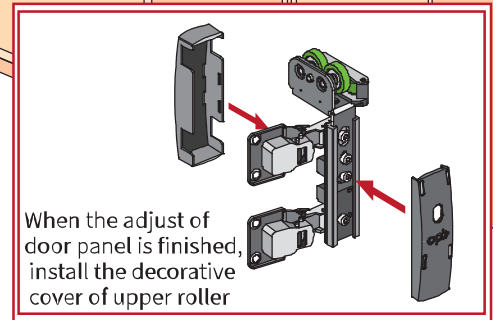
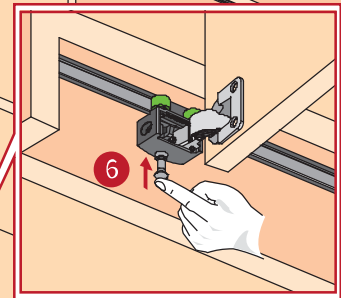
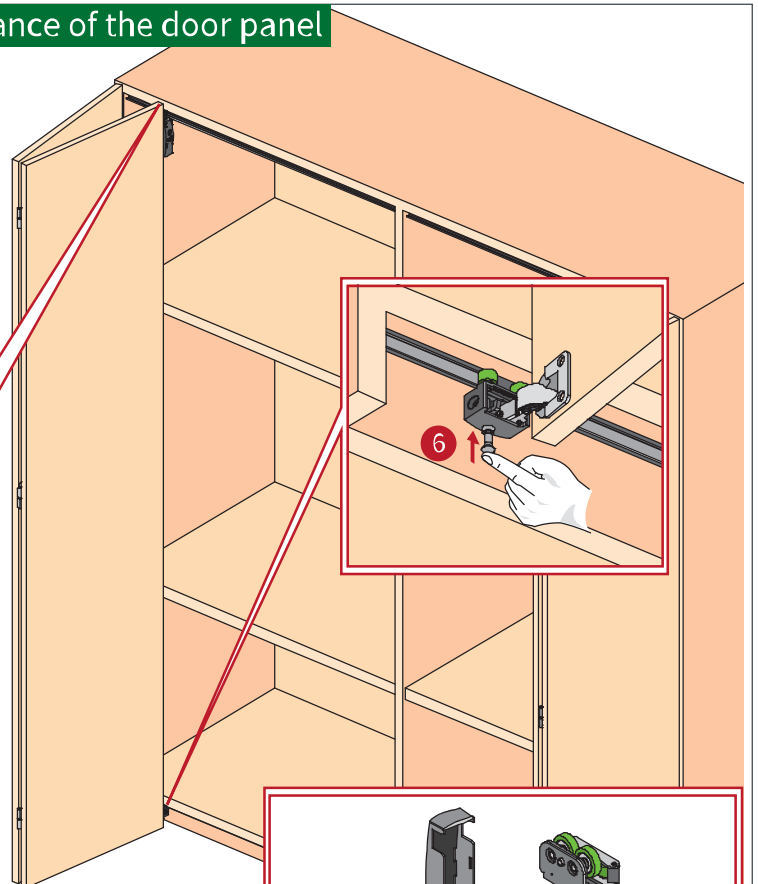
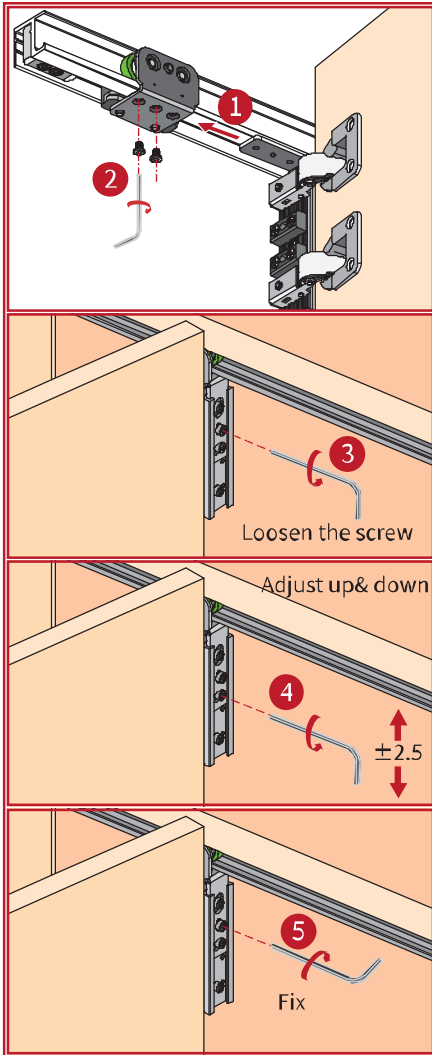
3 Install door panel fittings



4-1 Install door panel



4-2 Install door panel Adjust the balance of the door panel



5 Location stopper

