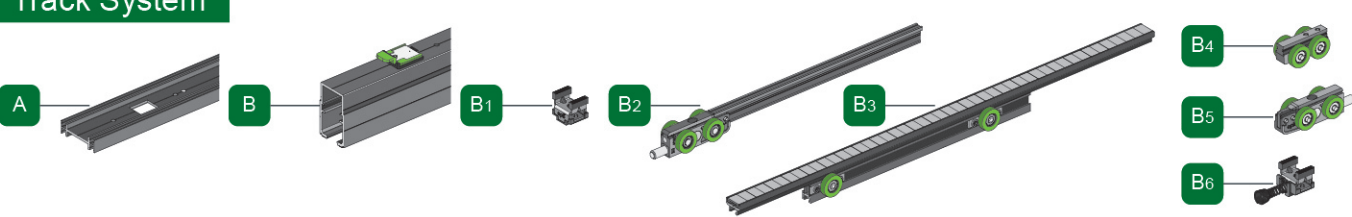
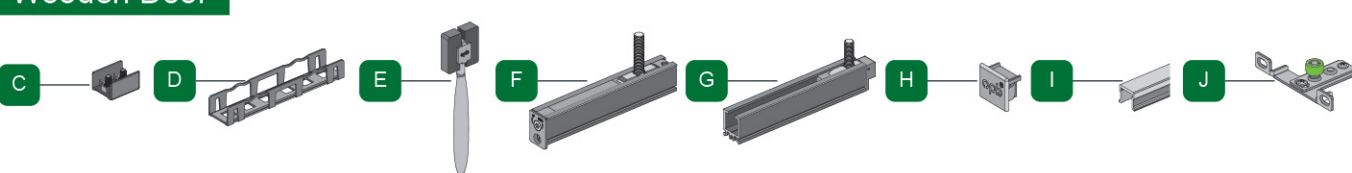


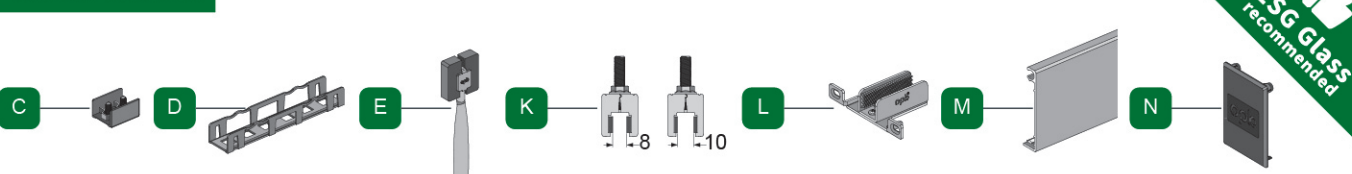
Track System



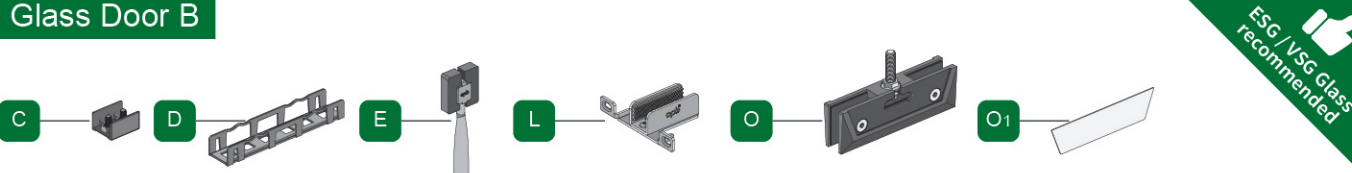
Wooden Door





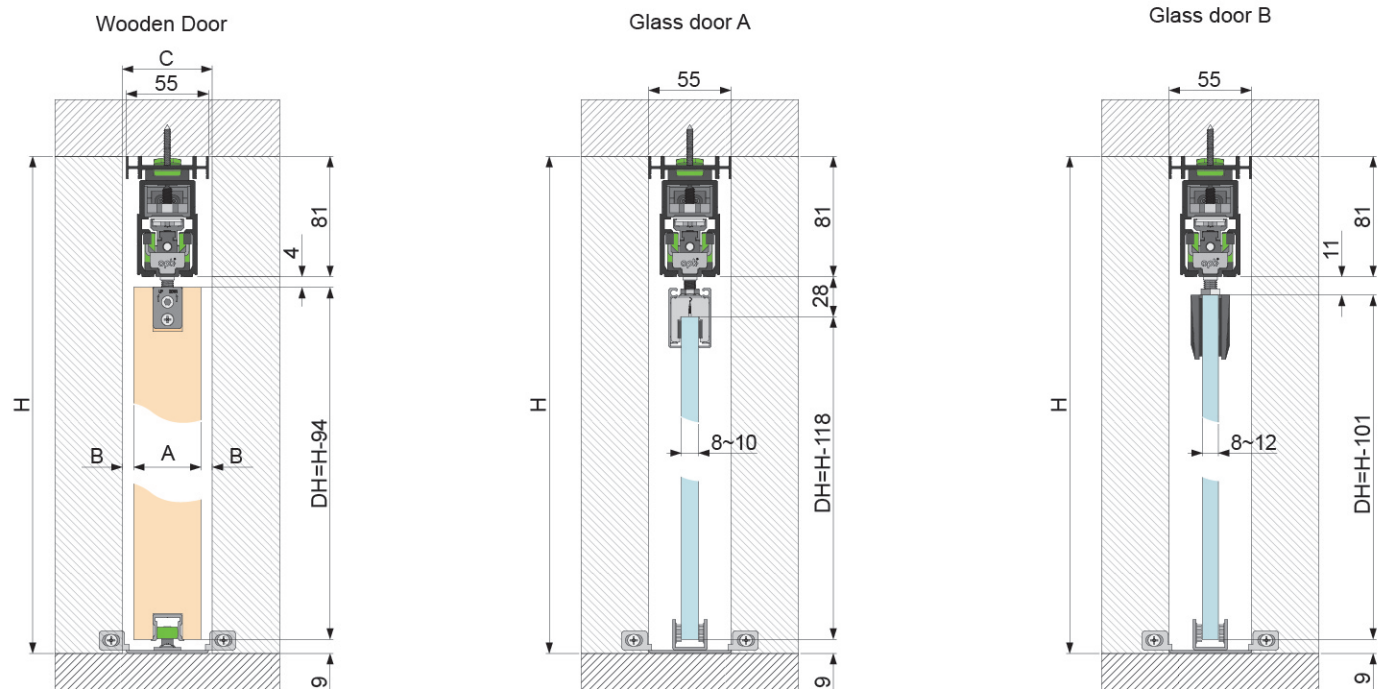
Glass Door A



Glass Door B

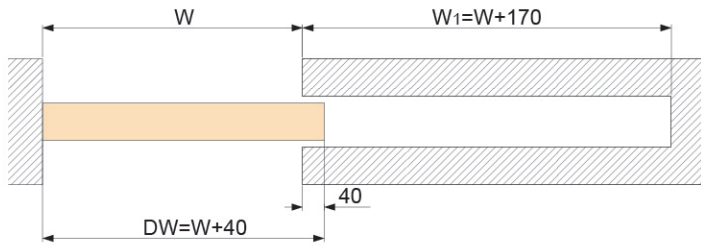




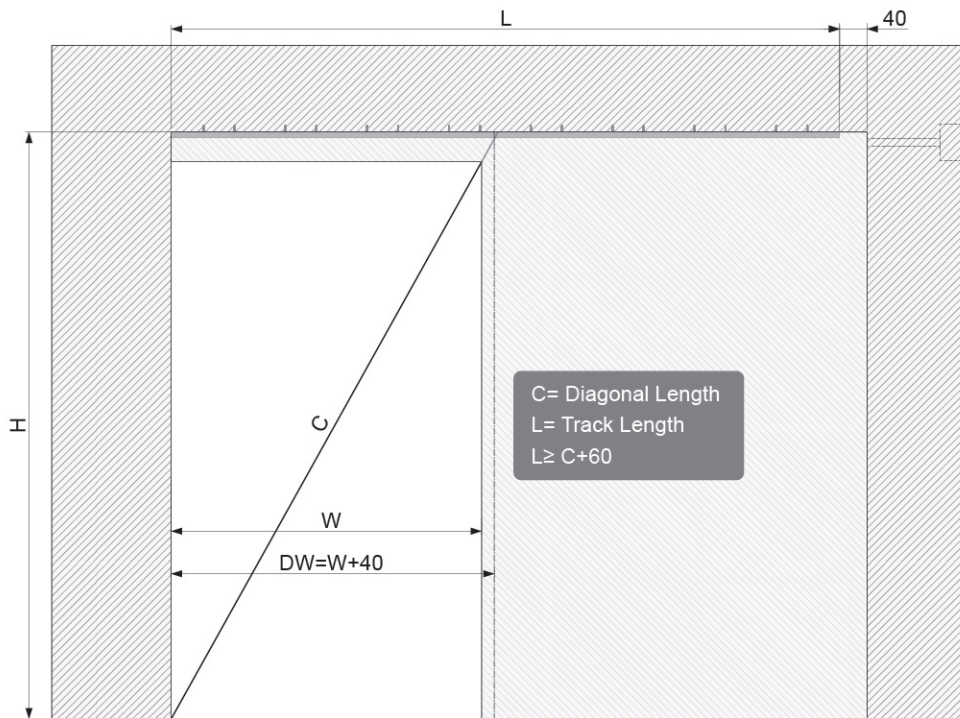
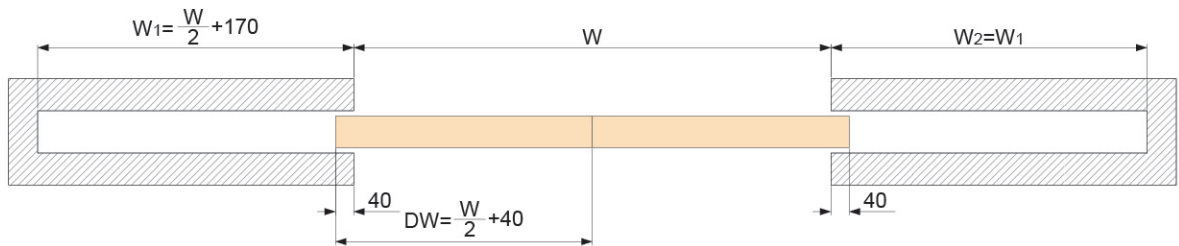
A	B	C
35mm	10mm	55mm
40mm	7.5mm	55mm
45mm	7.5mm	60mm

Single system / Schiene



Schiene Länge L Track length L	Lichtes Einbaumaß Door opening size W	Türbreite Door width DW
2100mm	680~980mm	720~1020mm
2800mm	980~1330mm	1020~1370mm

Double systems / Schienen (synchro system)



The diagonal size of door opening \geq Track length

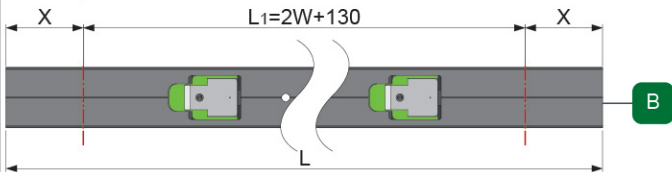
1 Single system / Schiene

Schienenlänge L Track length L	Lichtes Einbaumaß Door opening size W
2100mm	680~980mm
2800mm	980~1330mm

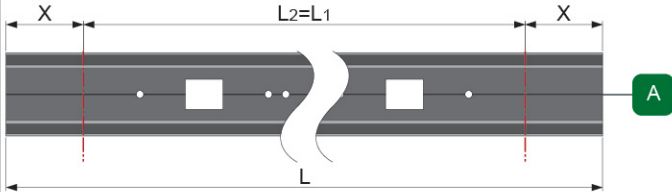
$X = (L - 2W - 130) / 2$
 Note:
 W: door opening width
 L: the track length delivered
 X: the length of cutting at both sides
 L1: Track length after cutting

! When the track system and the pre-mounting track is too long, then both sides need to be cut by the same length

Track System



The pre-mounting track



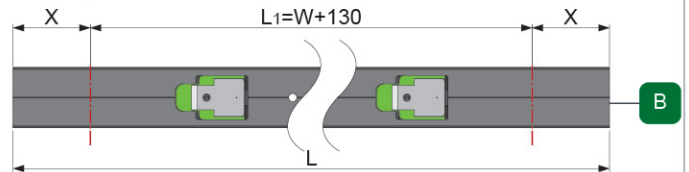
Double systems / Schienen (synchro system)

Schienenlänge L Track length L	Lichtes Einbaumaß Door opening size W
(2100x2)mm	1360~1960mm
(2800x2)mm	1960~2660mm

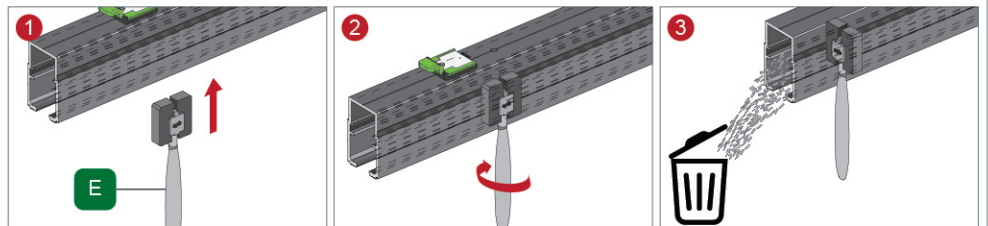
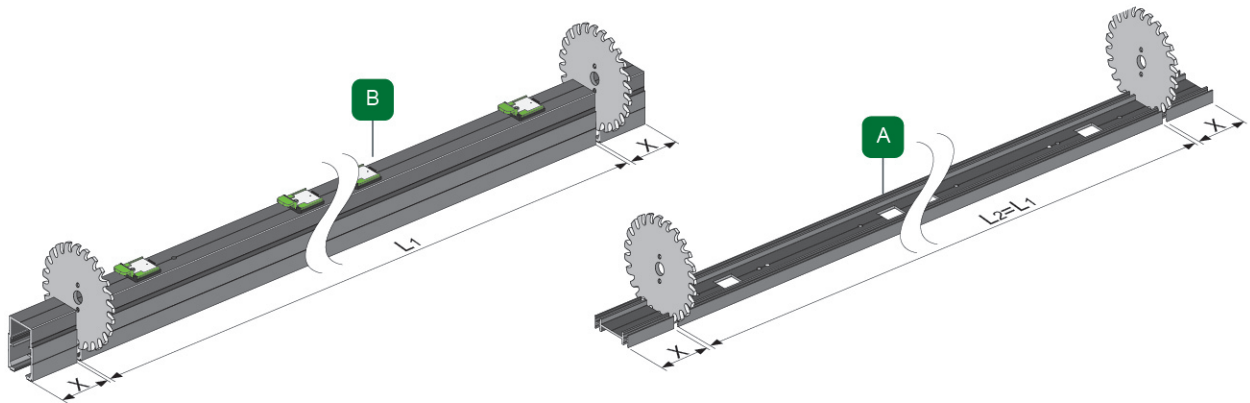
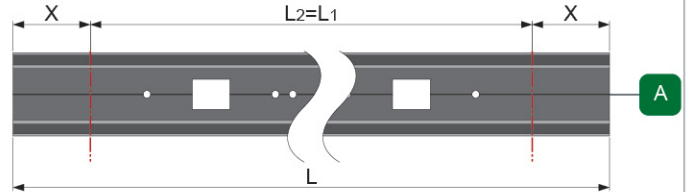
$X = (L - W - 130) / 2$
 Note:
 W: door opening width
 L: the track length delivered
 X: the length of cutting at both sides
 L1: Track length after cutting

! When the track system 1&2 and the pre-mounting track is too long, then both sides need to be cut by the same length

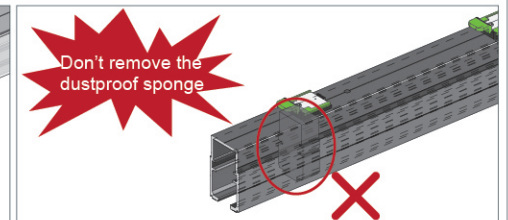
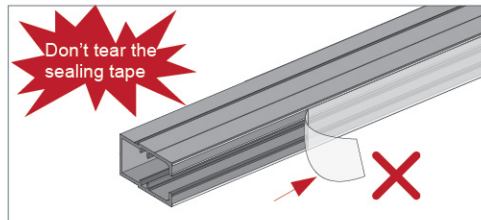
Track System 1 & 2



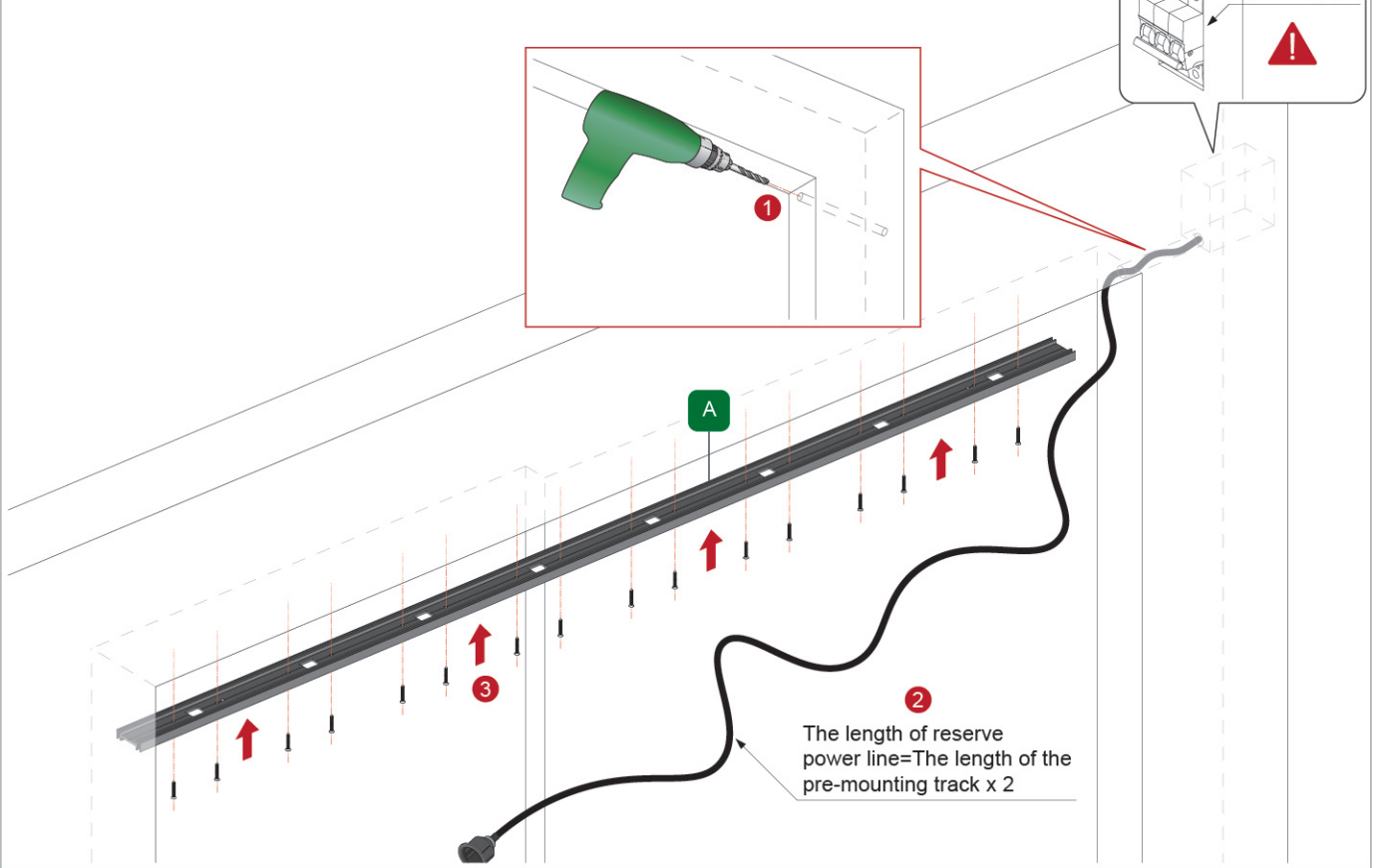
The pre-mounting track 1&2



!
 Please use the cleaning brush to clean the aluminum scraps generated after cutting the track, to keep the inside of the track clean

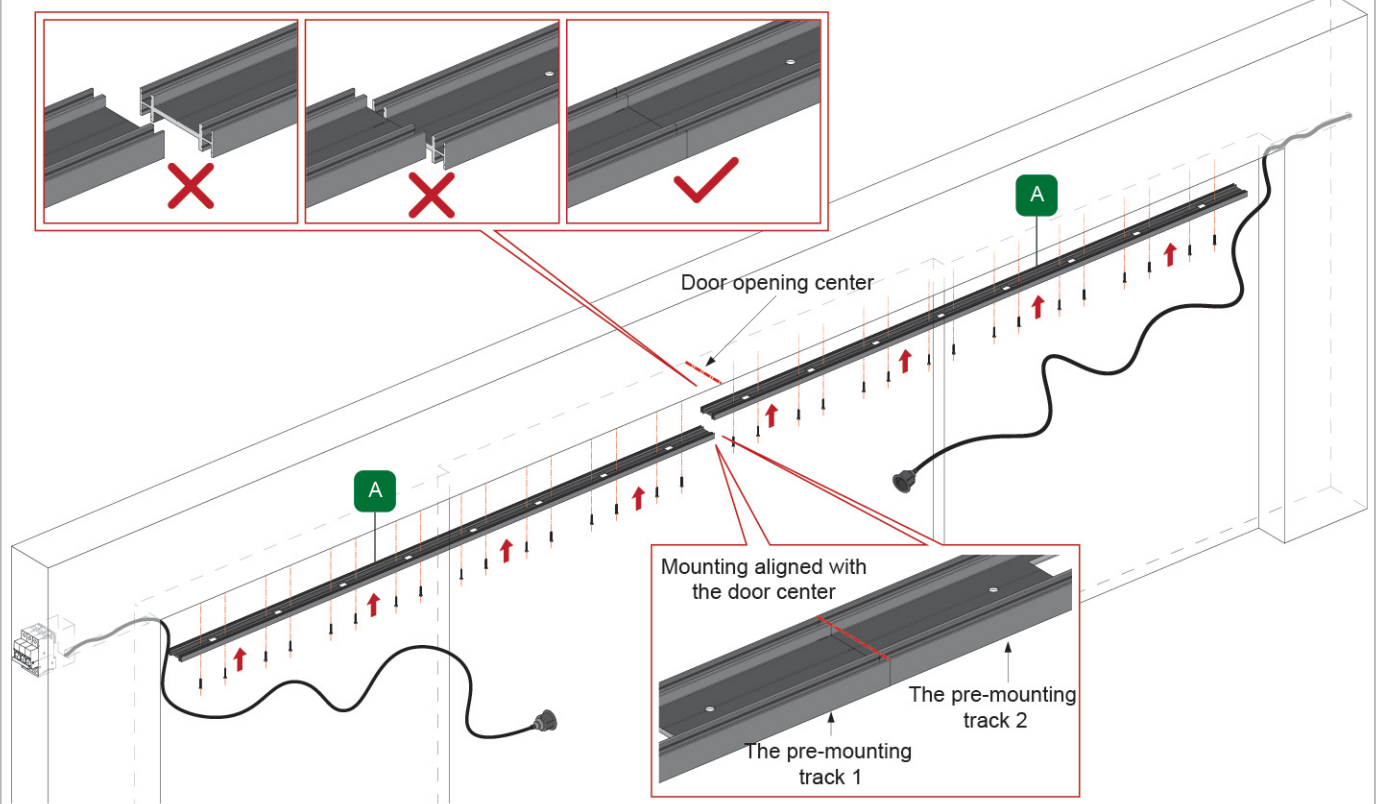


2 Install the pre-mounting track Single system / Schiene



Double systems / Schienen (synchro system)

Refer to step 2 to install the pre-mounting track



3 Clean the track Please clean the track with a cleaning brush to keep the inside of the track clean

1 Tear it

2

3 E

4

5

4-A Wooden Door Install the minimal bracket

15

35

B6

F

G

B1

1

2

3

4-B Glass door A & Glass door B Install glass clamp

15

126

B6

F

G

B1

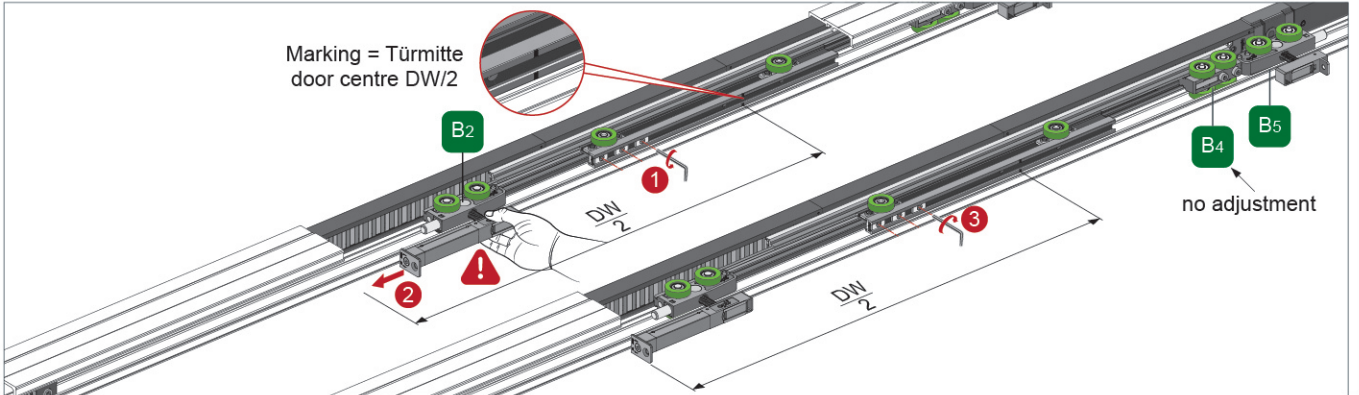
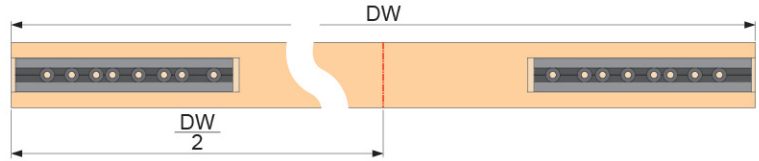
1

2

3

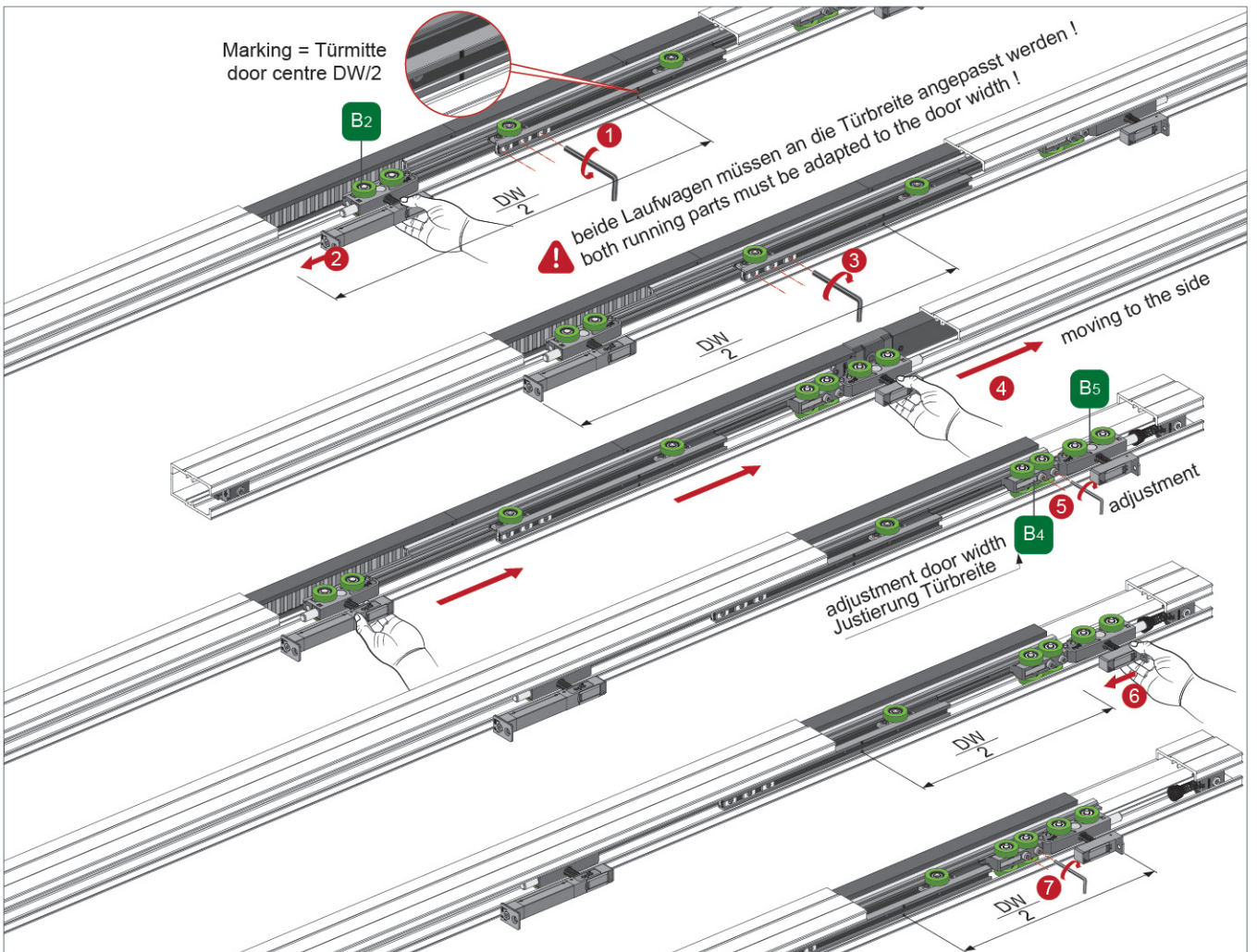
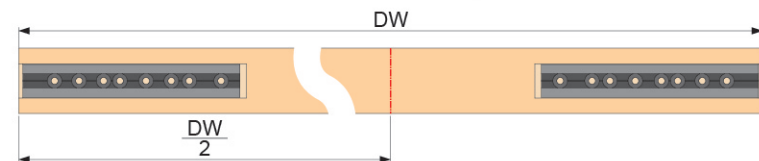
5-A Einstellung für eine breitere Tür / Adjustment for a wider door panel

Schienenlänge L Track length L	Lichtes Einbaumaß Door opening size W	Türbreite Door width DW
2100mm	680~980mm	865~1020mm
2800mm	980~1330mm	1215~1370mm



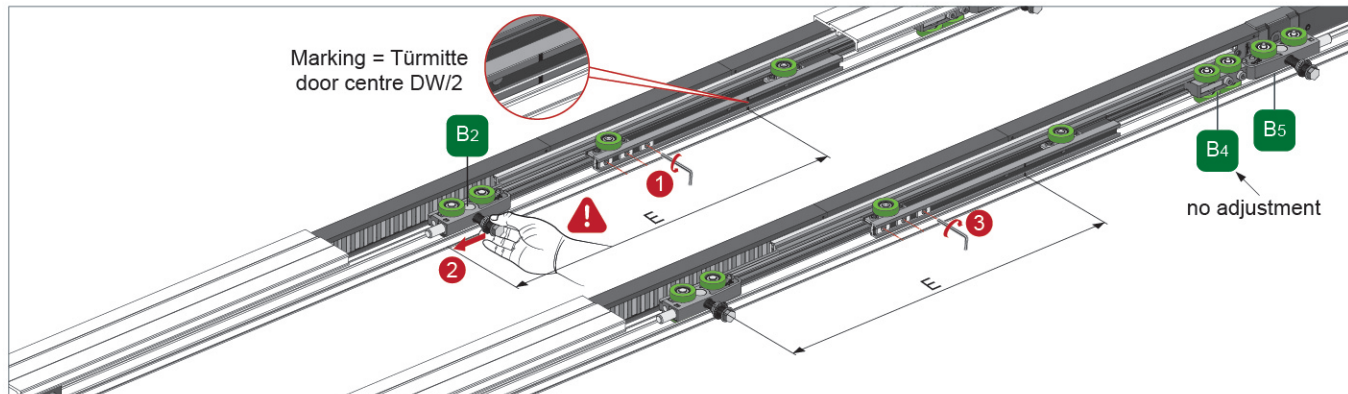
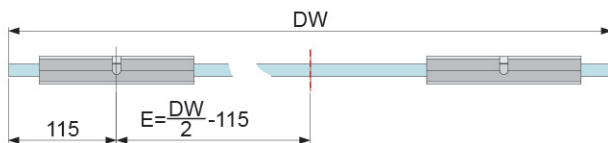
Einstellung für eine schmalere Tür / Adjustment for a narrower door panel

Schienenlänge L Track length L	Lichtes Einbaumaß Door opening size W	Türbreite Door width DW
2100mm	680~980mm	720~865mm
2800mm	980~1330mm	1020~1215mm



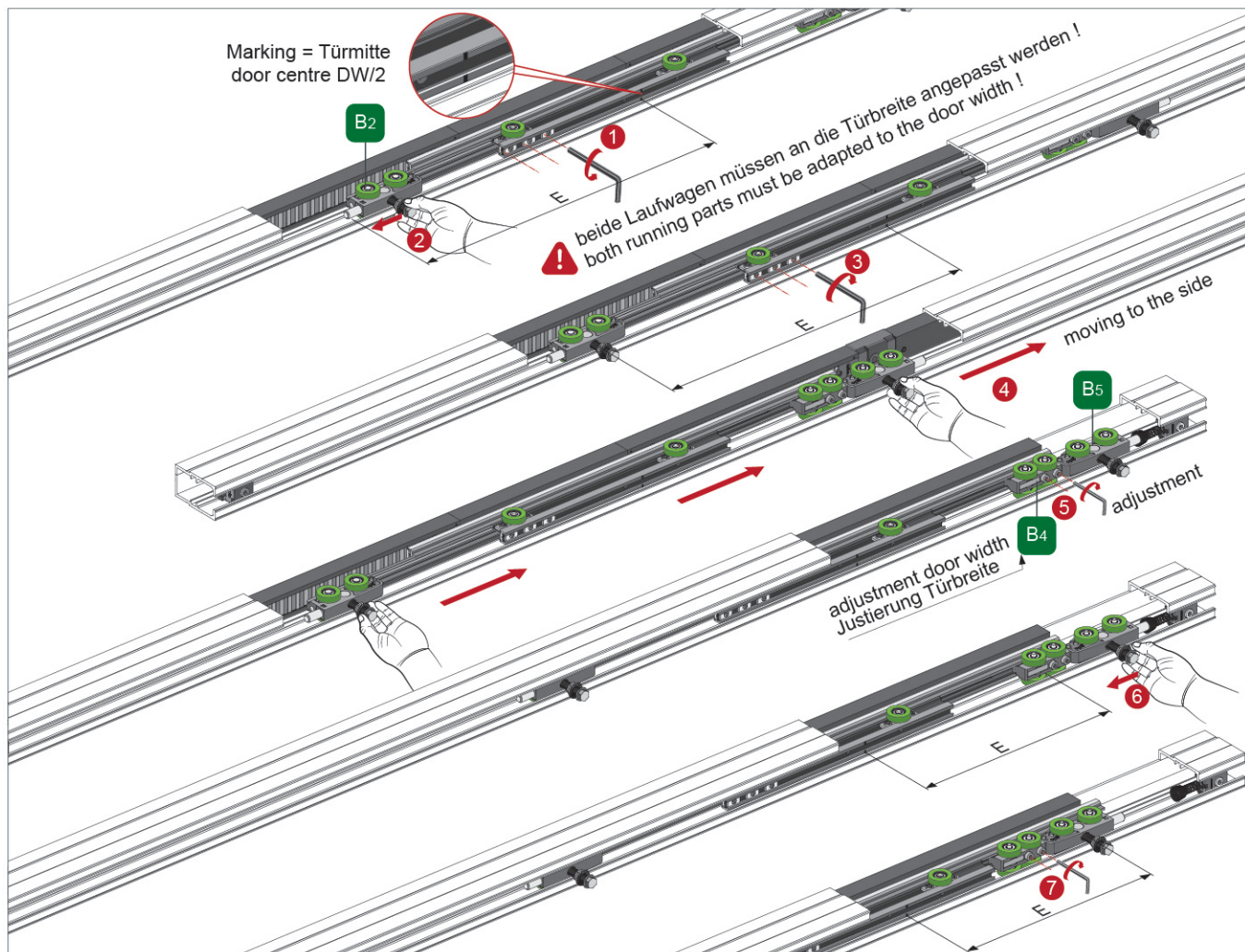
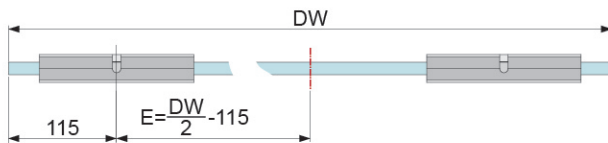
5-B Einstellung für eine breitere Tür / Adjustment for a wider door panel

Schienenlänge L Track length L	Lichtes Einbaumaß Door opening size W	Türbreite Door width DW
2100mm	680~980mm	865~1020mm
2800mm	980~1330mm	1215~1370mm



Einstellung für eine schmalere Tür / Adjustment for a narrower door panel

Schienenlänge L Track length L	Lichtes Einbaumaß Door opening size W	Türbreite Door width DW
2100mm	680~980mm	720~865mm
2800mm	980~1330mm	1020~1215mm



6 Install cable holder Single system / Schiene

1 Put the cable holders into the track

2 Please use the scissors to cut off the exposed part

3 The cable holder aligned with the side of the track

D

X

≈40

≈40

7 Install track system Single system / Schiene

3

2

4

B

1

Please connect the power cable outside the pocket

Bitte achten Sie darauf, dass

- keines der elektrischen Bauteile beschädigt wird
- das Anschlusskabel bei allen Arbeiten an der Schiene vom Stromnetz getrennt ist

Attention

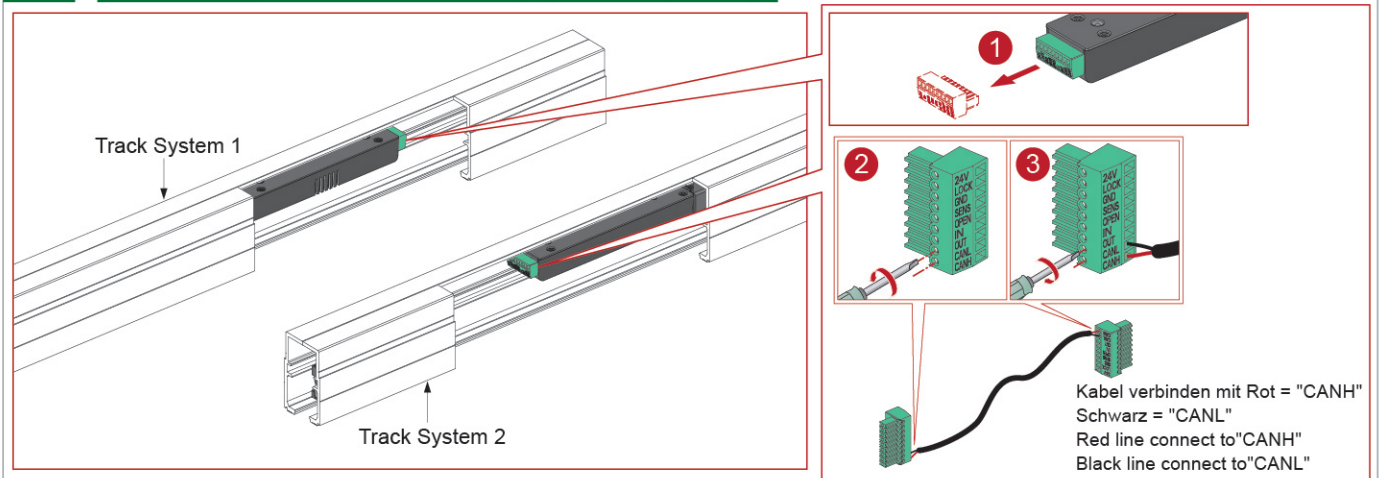
- Do not scratch or break the power cable to avoid electric shock;
- Do not connect the power while installing the product;

Ø4x18

Outside the pocket

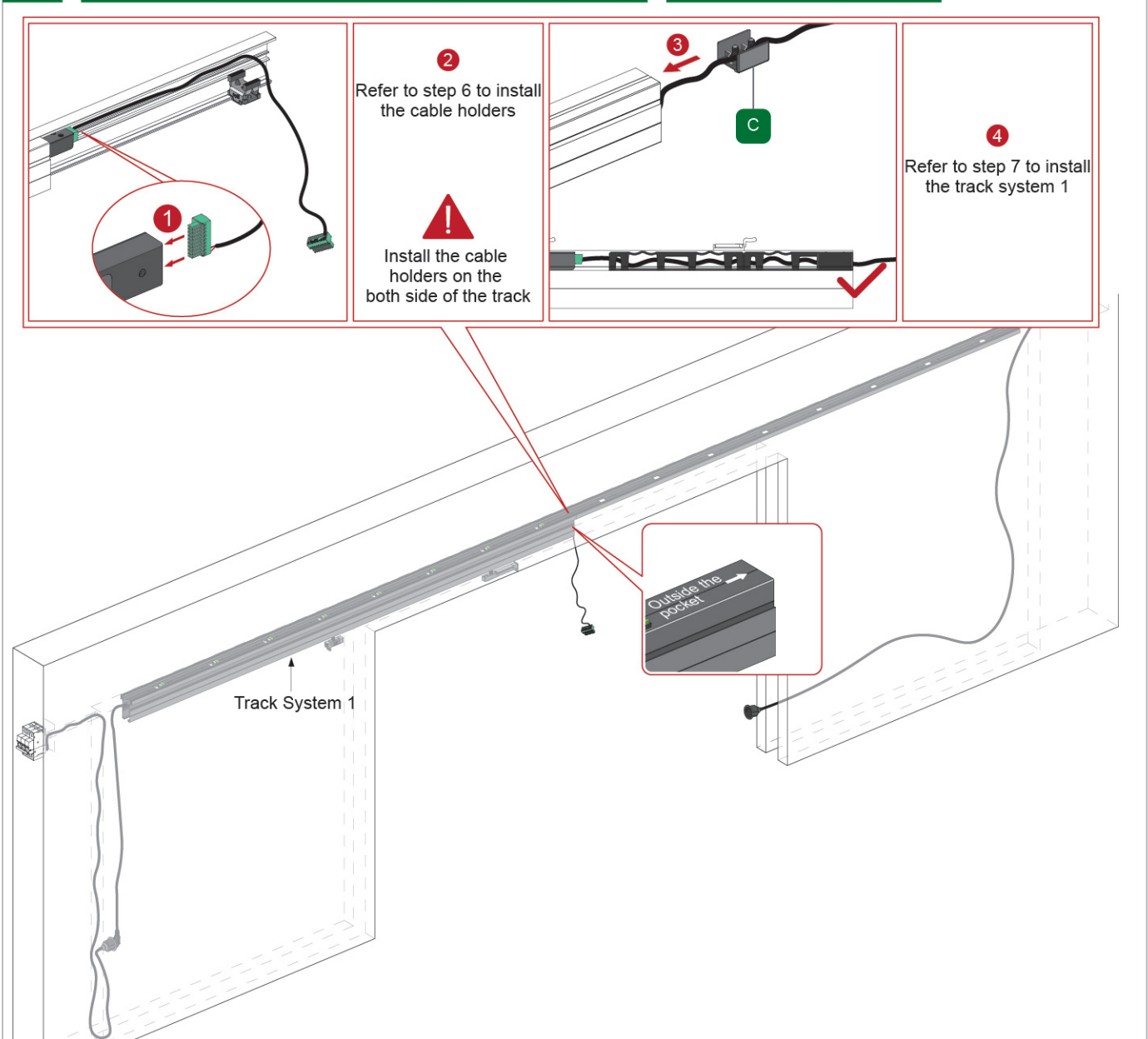
Inside the pocket

8 Double systems / Schienen (synchro system)



9 Double systems / Schienen (synchro system)

Install track system 1

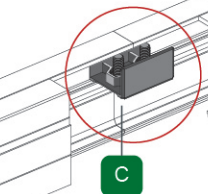


1 Refer to step 6 to install the cable holders

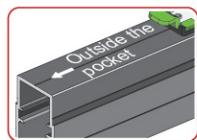
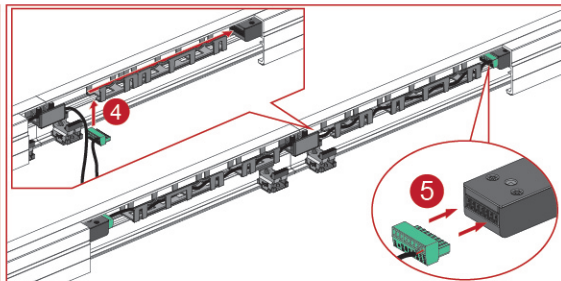


Install the cable holders on the both side of the track

2 Put one connector to both tracks and fix it

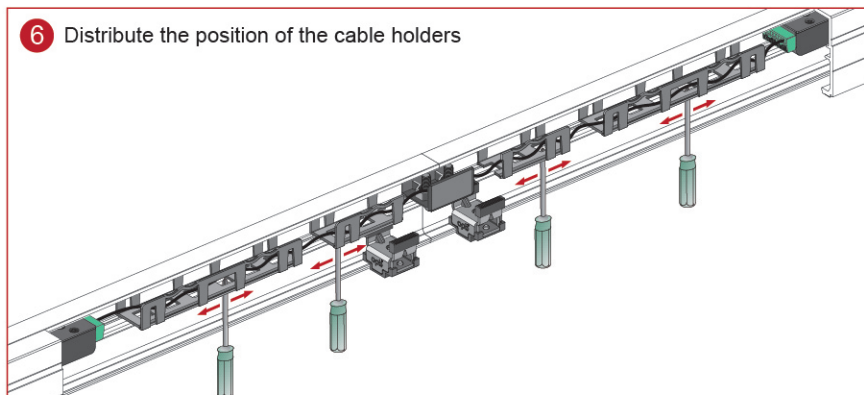


3 Refer to step 7 to install the track system 2

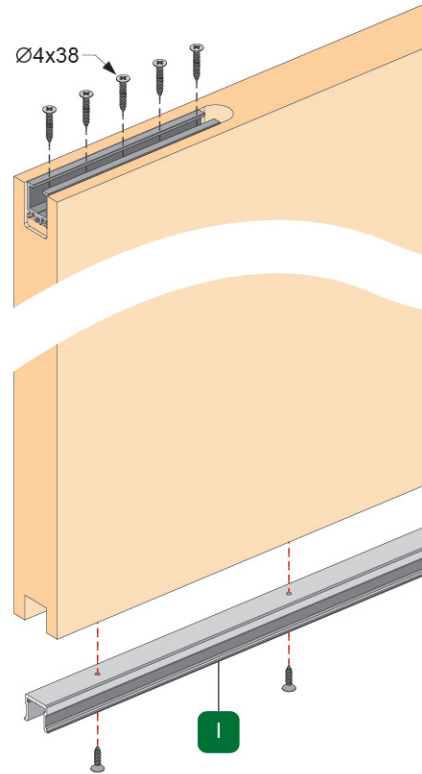
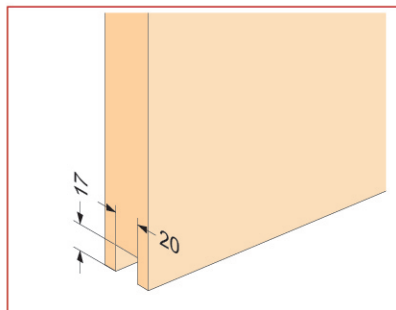
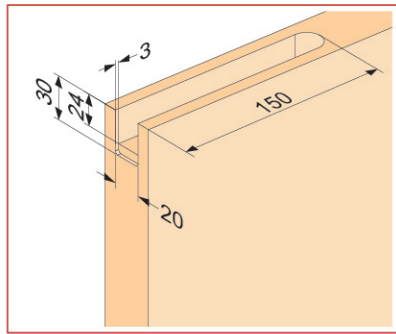


Track System 2

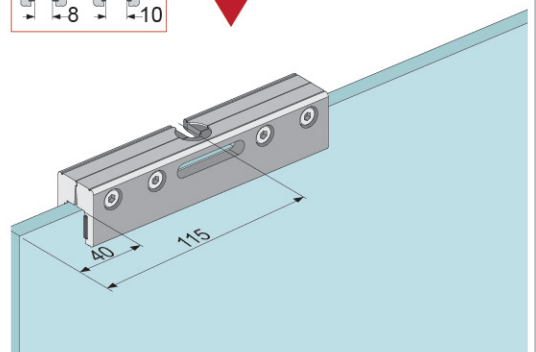
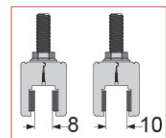
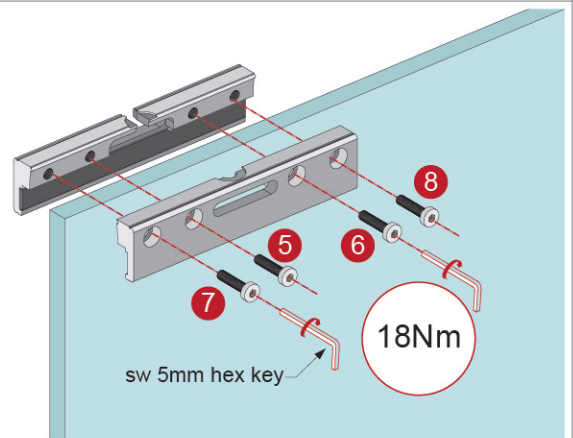
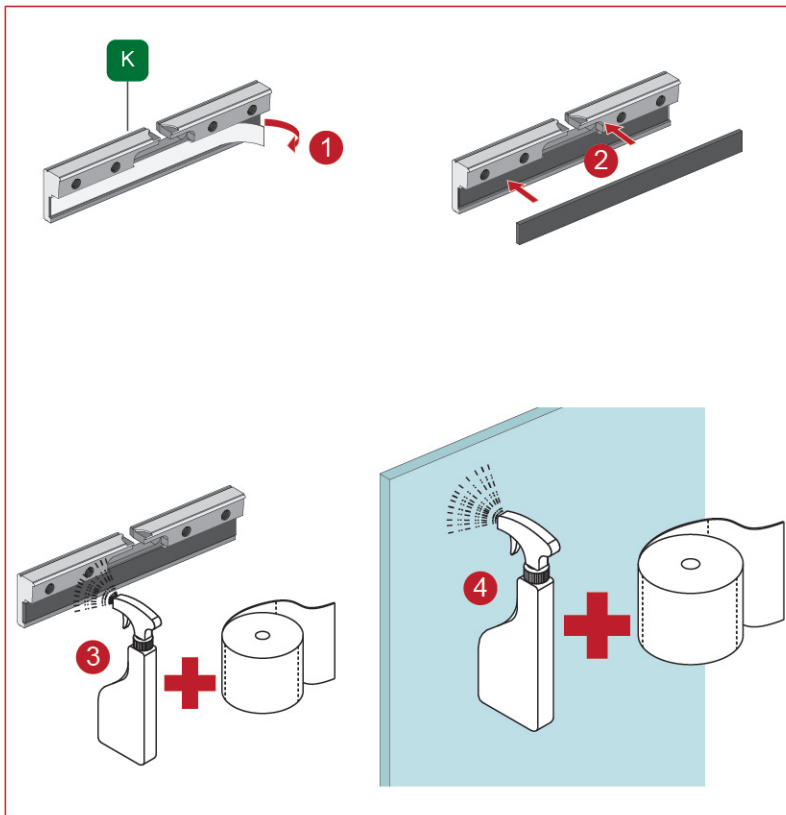
6 Distribute the position of the cable holders



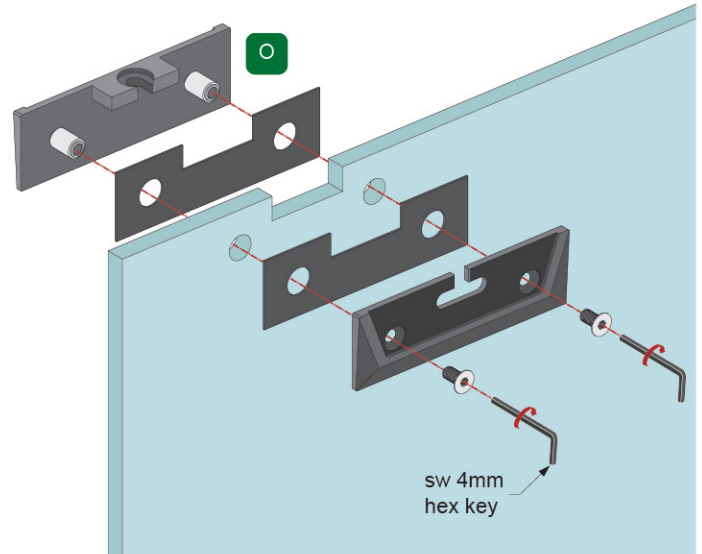
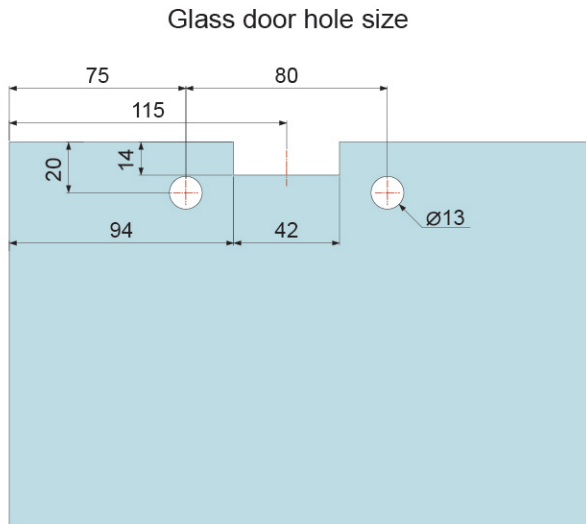
11-A Wood door



11-B Glass door A

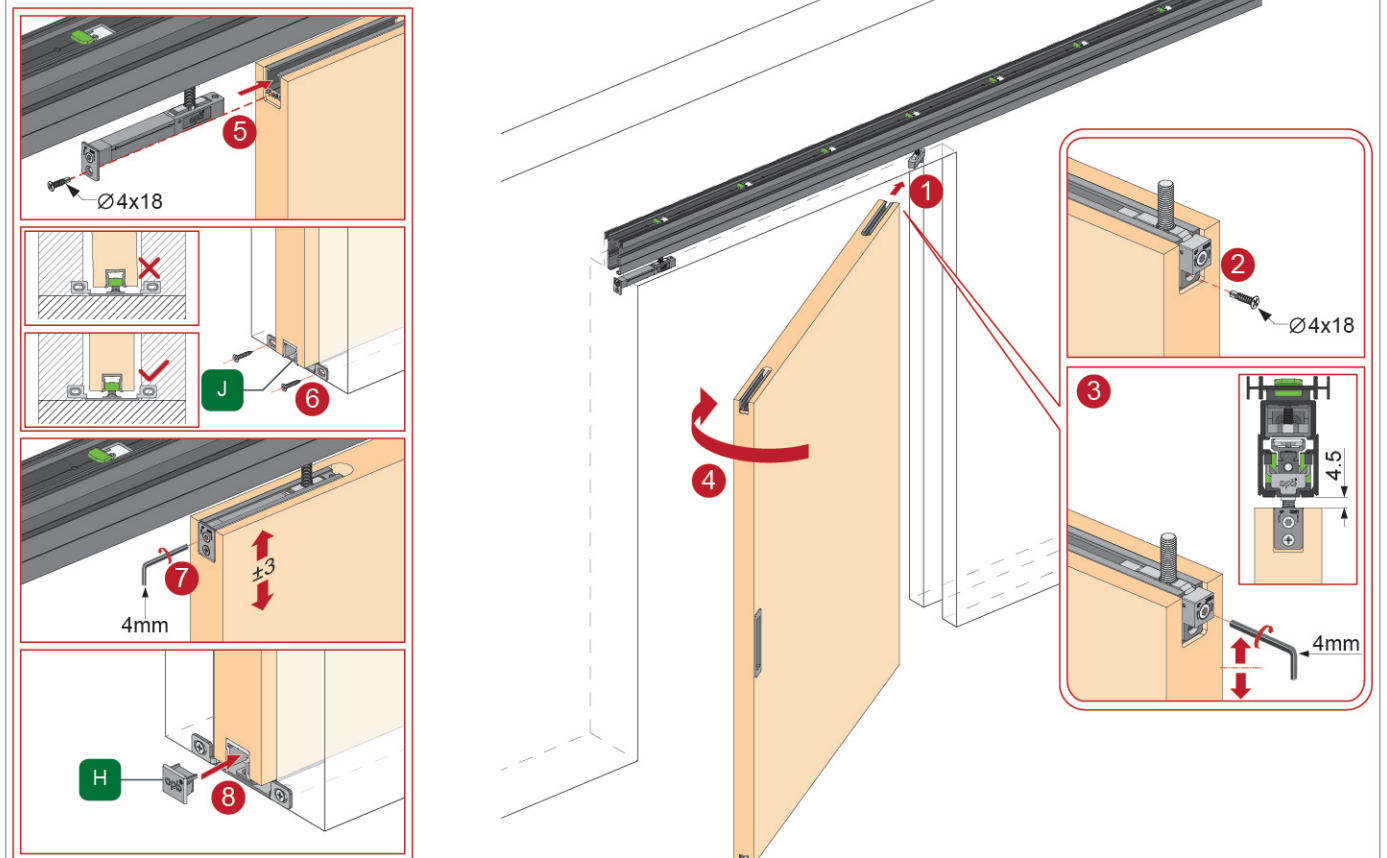


11-C Glass door B

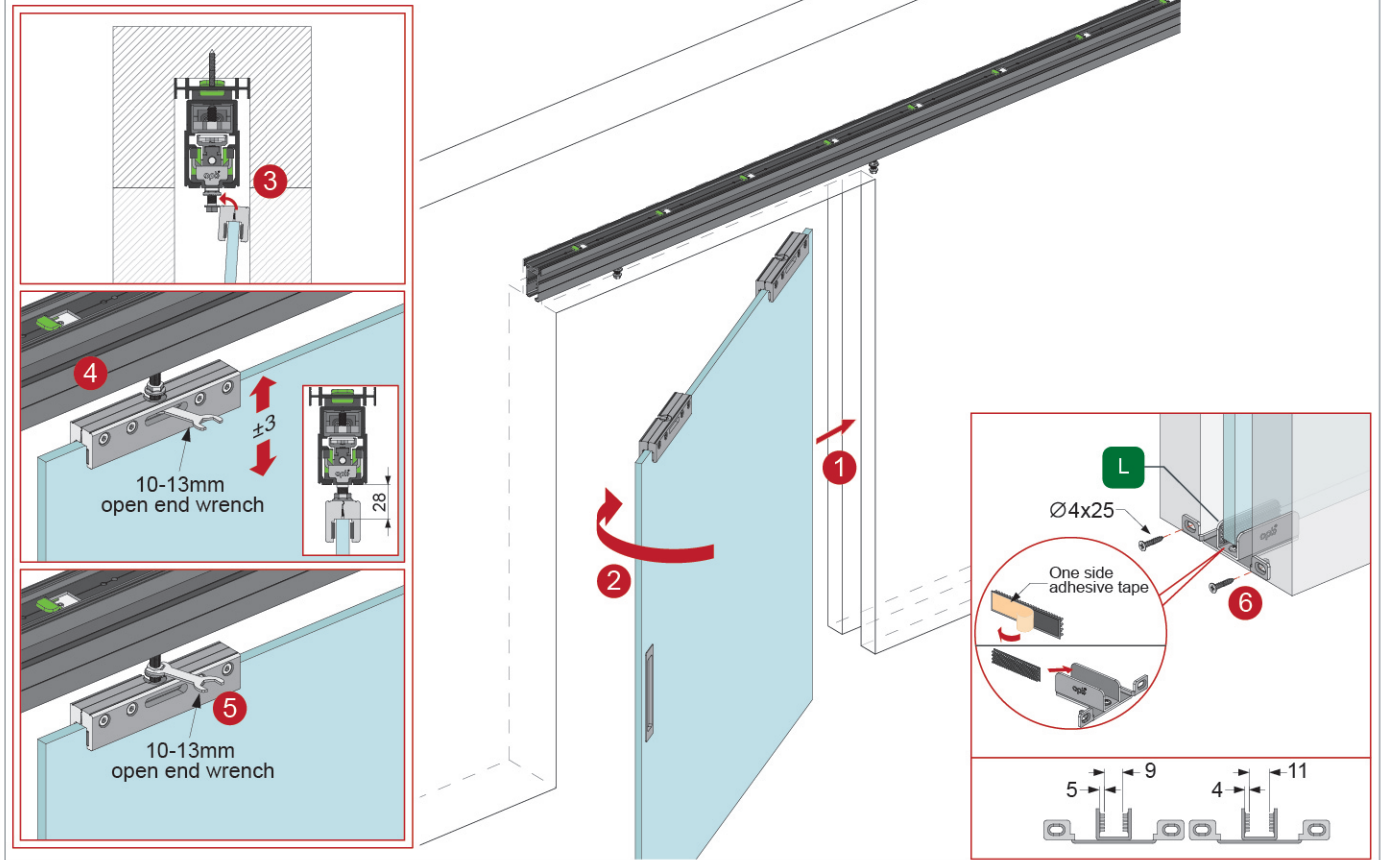


8mm glass with 4 pieces of plastic sheet
10mm~12mm glass with 2 pieces of plastic sheet

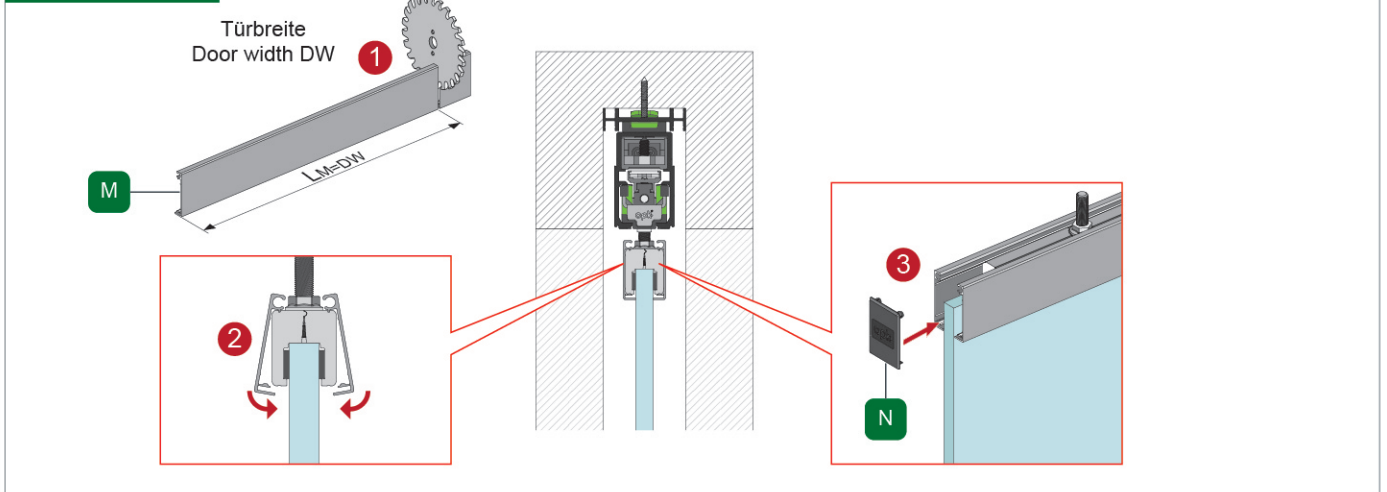
12-A Wood door Door panel installation



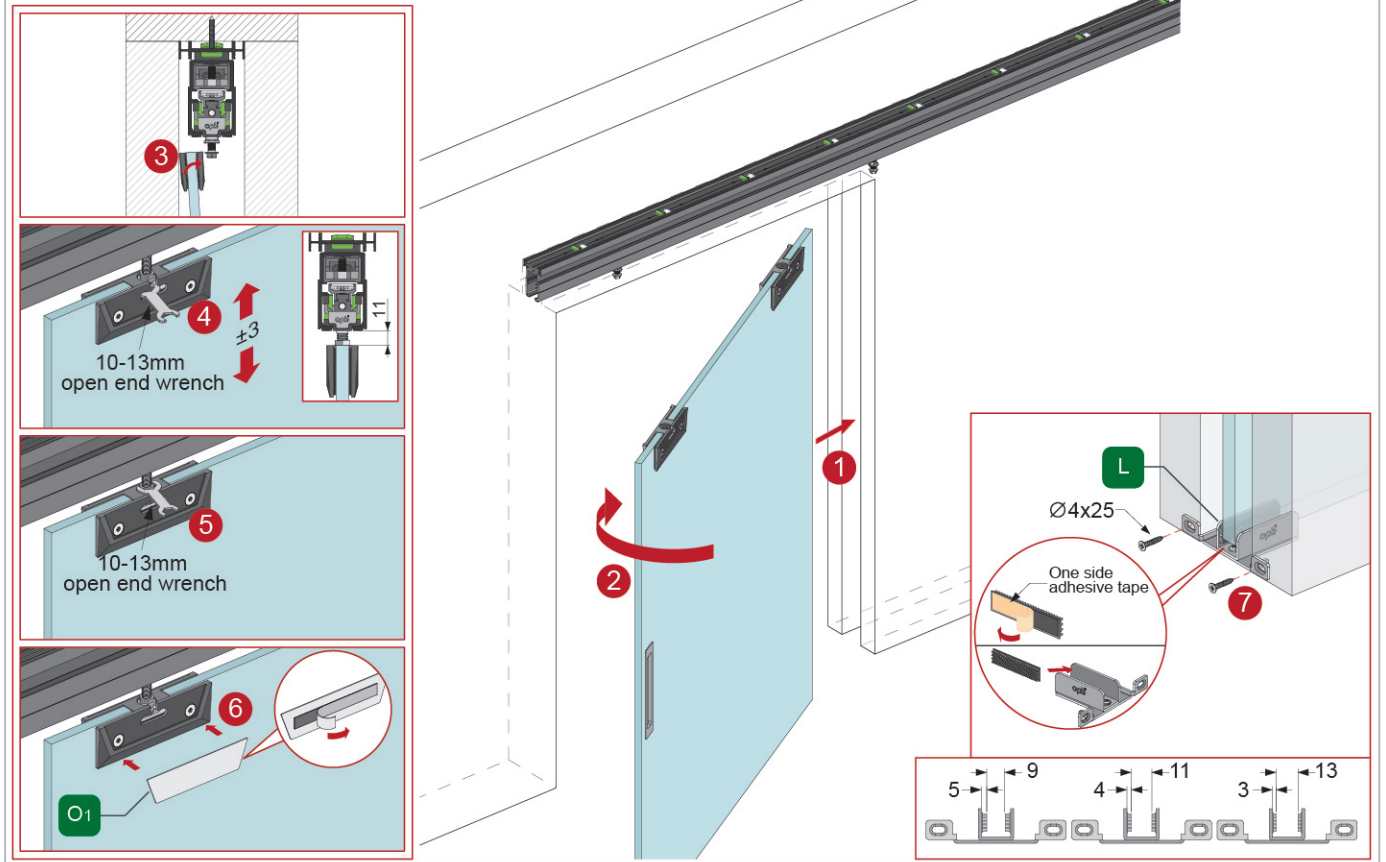
12-B Glass door A Door panel installation



Glass door A



12-C Glass door B Door panel installation



The packing list

The serial number	The name	unit	Quantity							location
			1	2	3	4	5	6	7	
1	Rail system	Pc								B
2	Common parts	Set								C
	Linkage accessories									
3	The bottom rail	Pc								A
4	Accessories package	Pc								B
5	Instructions	Pc								A
6	Warranty card	Pc								C
7	Communication line	Pc								C
8	Decorative cover	Pc								B
9	Pre-Mounting track	Pc								A
10	The remote control	Pc								C
11	Sensor	Pc								C
12	Smart Sensor	Pc								C
13	Wireless switch	Set								C
14	Wired touch switch	Pc								C
15	Sensor Switch	Pc								C
16	Wired access control system	Set								D
17	Wireless access control system	Set								D
18										

Position code: A- in wooden case, B- in carton, C- in accessory box, D- individually packed
 All quantity and location codes are invalid if altered