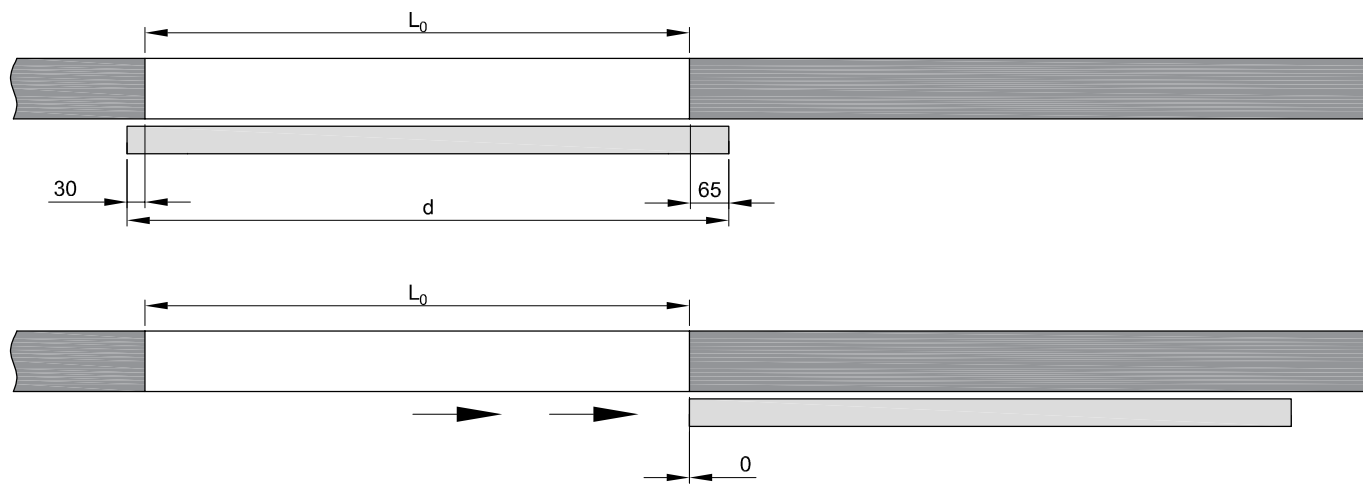
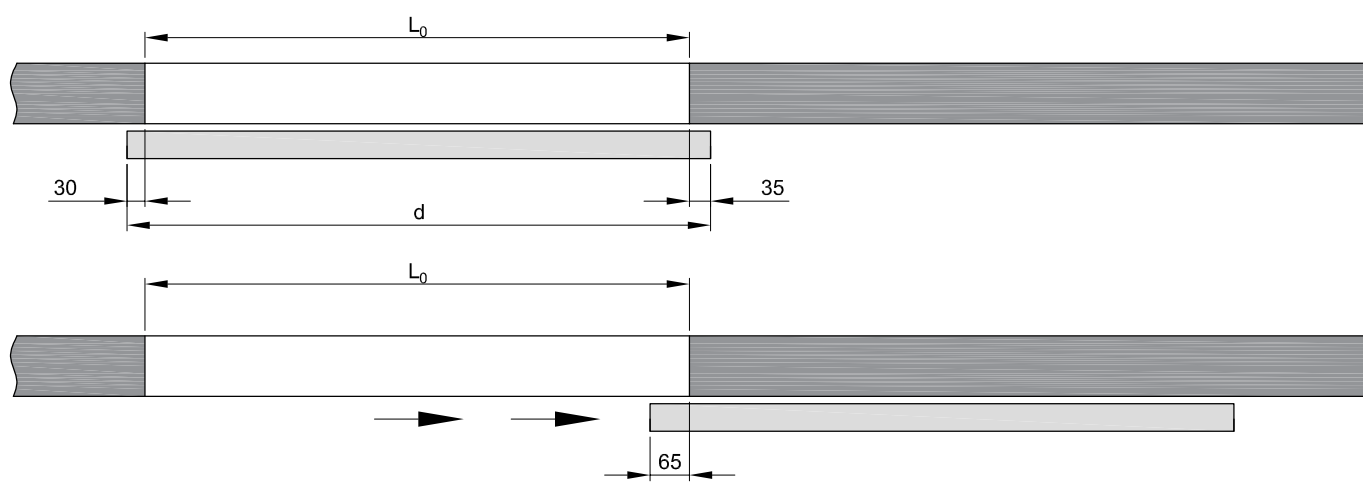


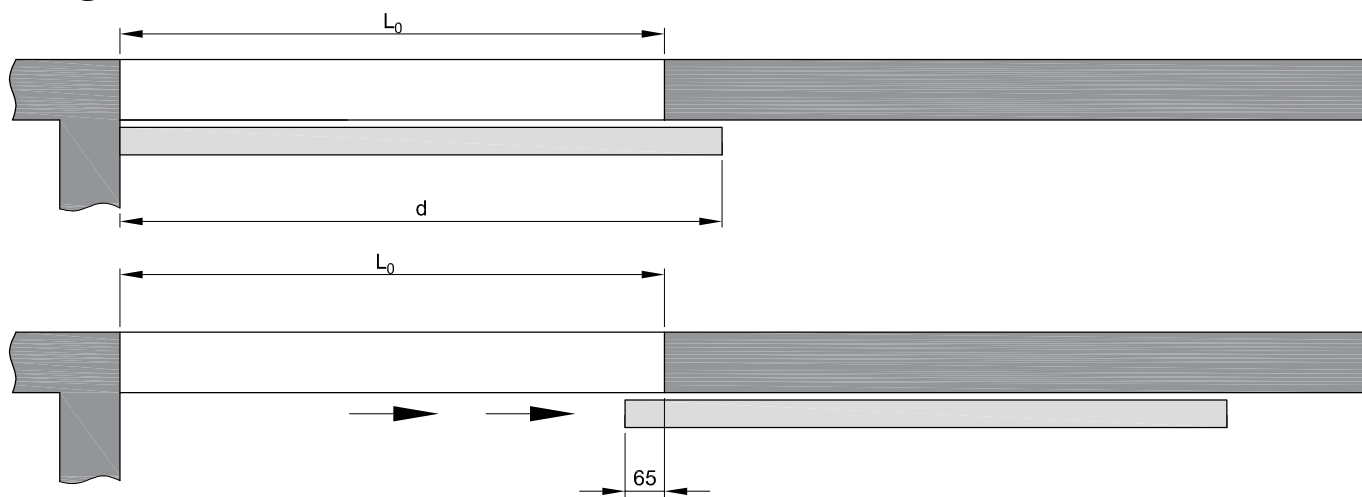
(A) $860 < d < 1035$



(B) $895 < d < 1050$



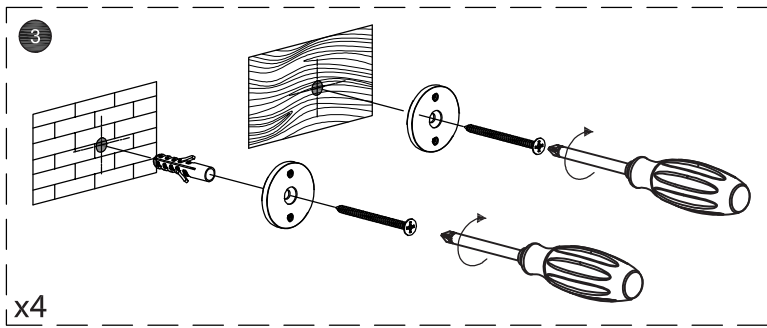
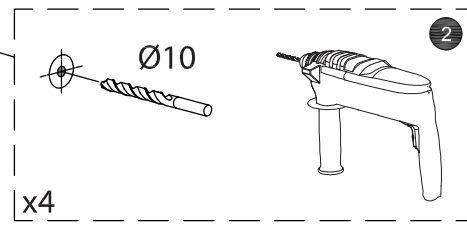
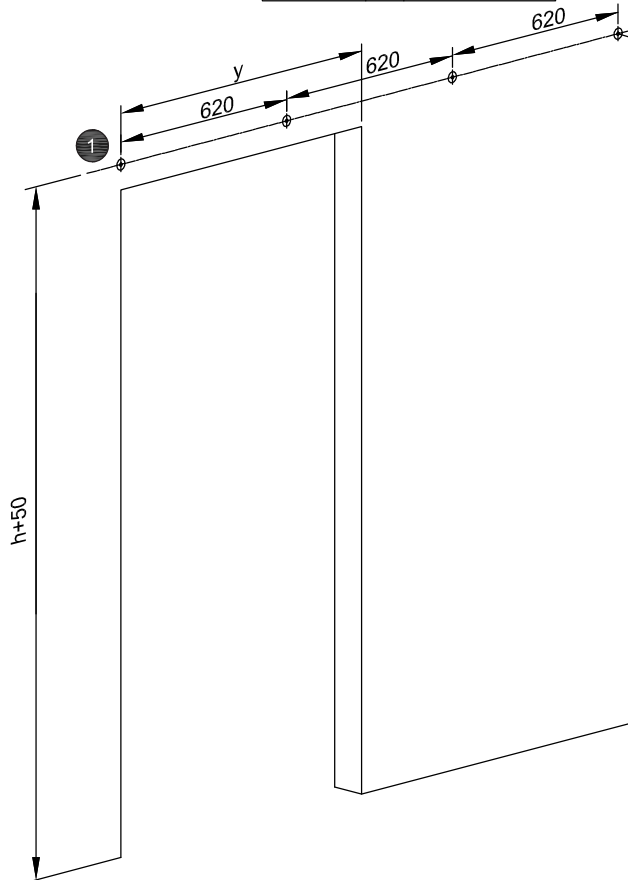
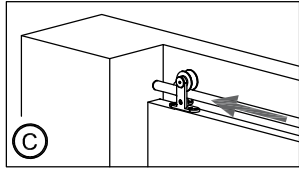
(C) $995 < d < 1050$



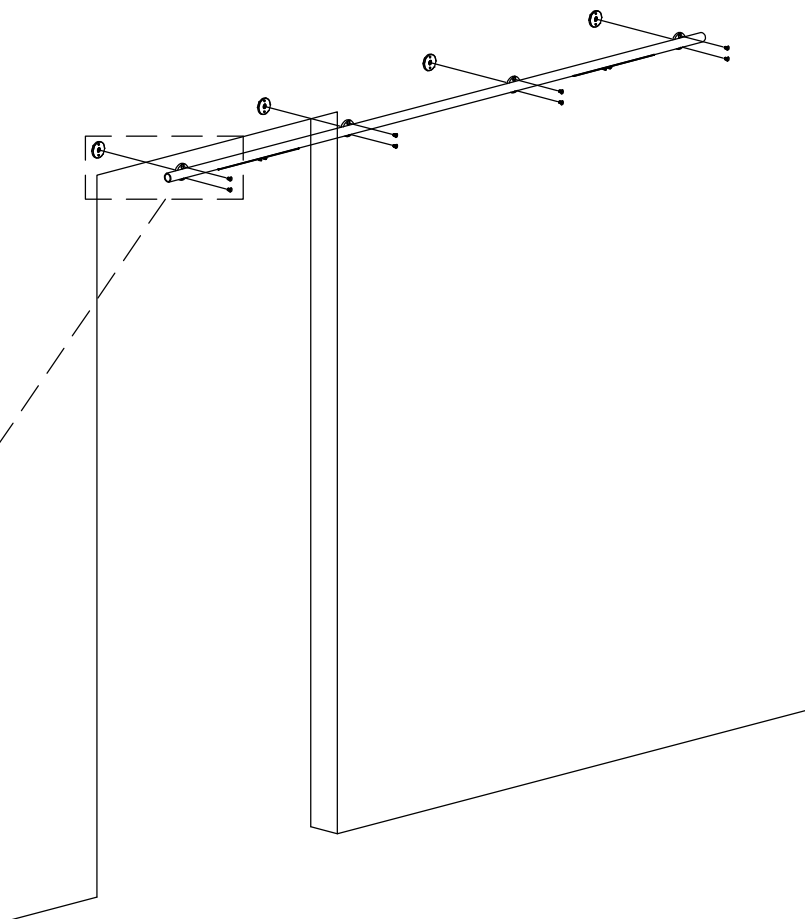
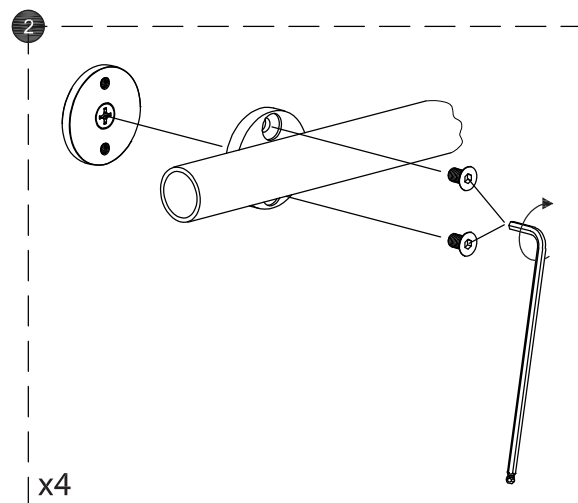
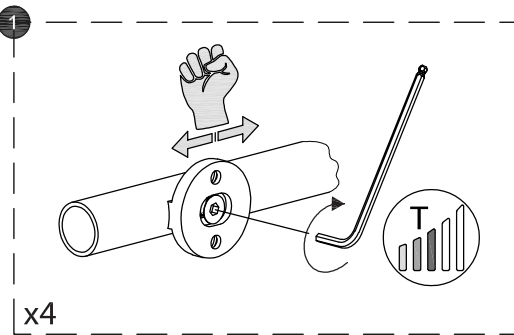
1

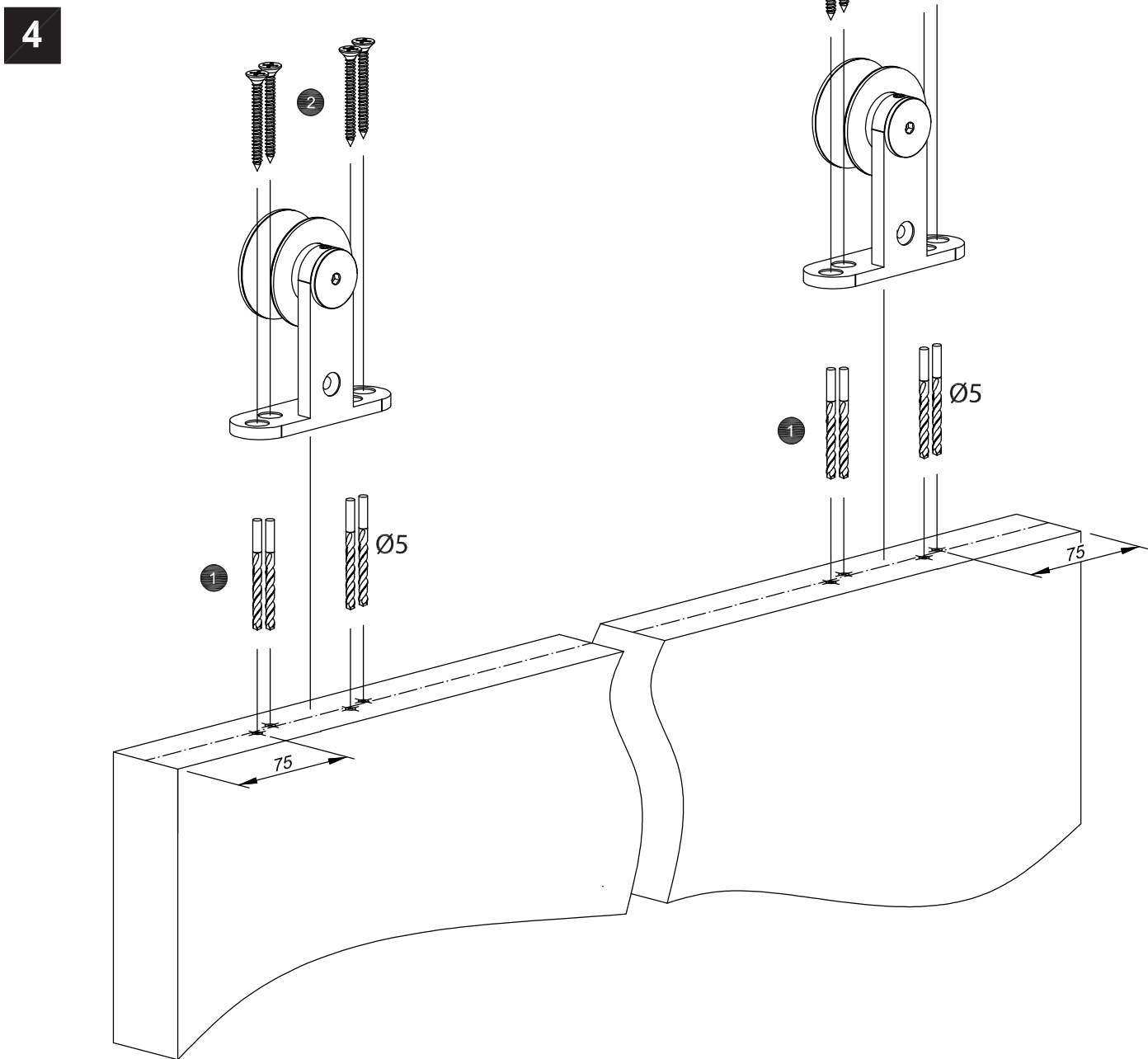
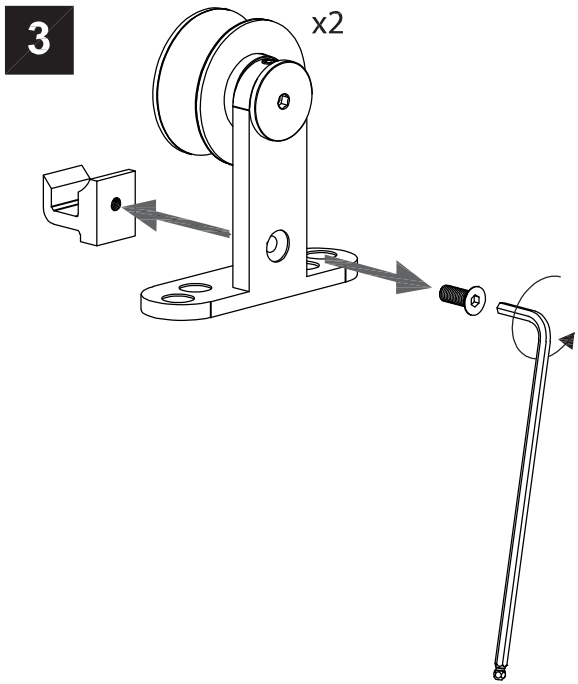
(A) $y=897,5$

(B) $y=945$



2





5



6

