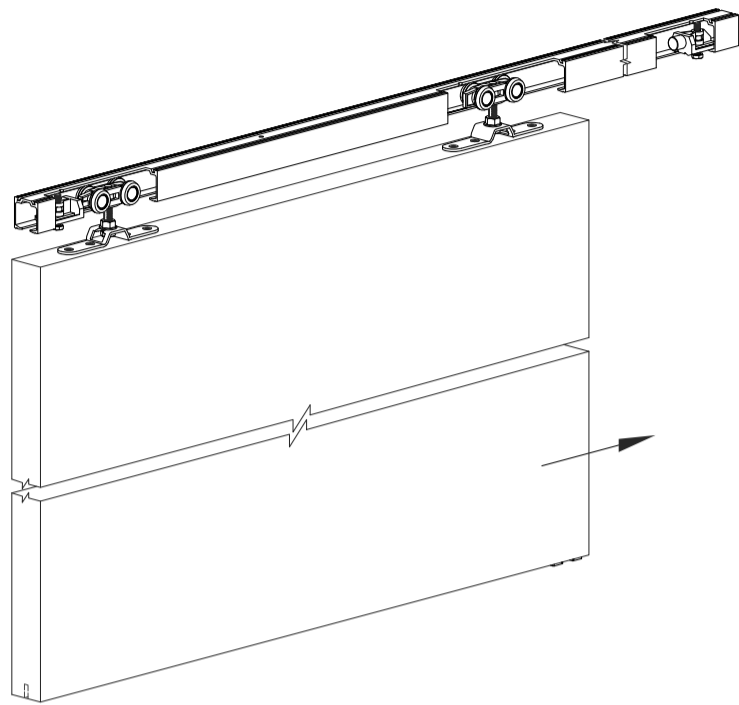
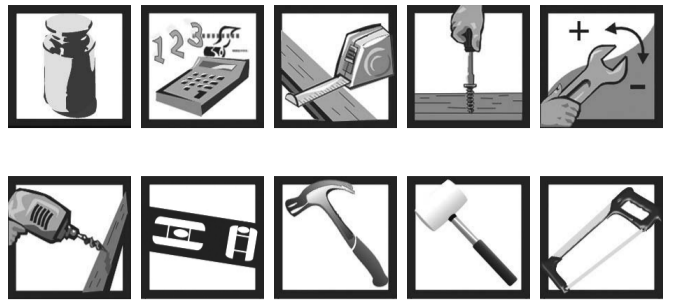
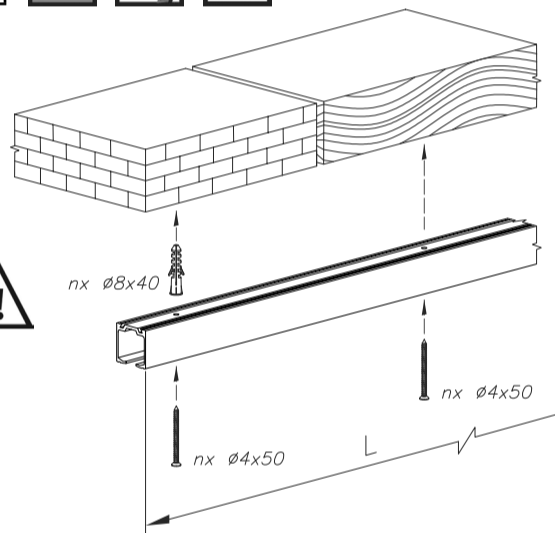
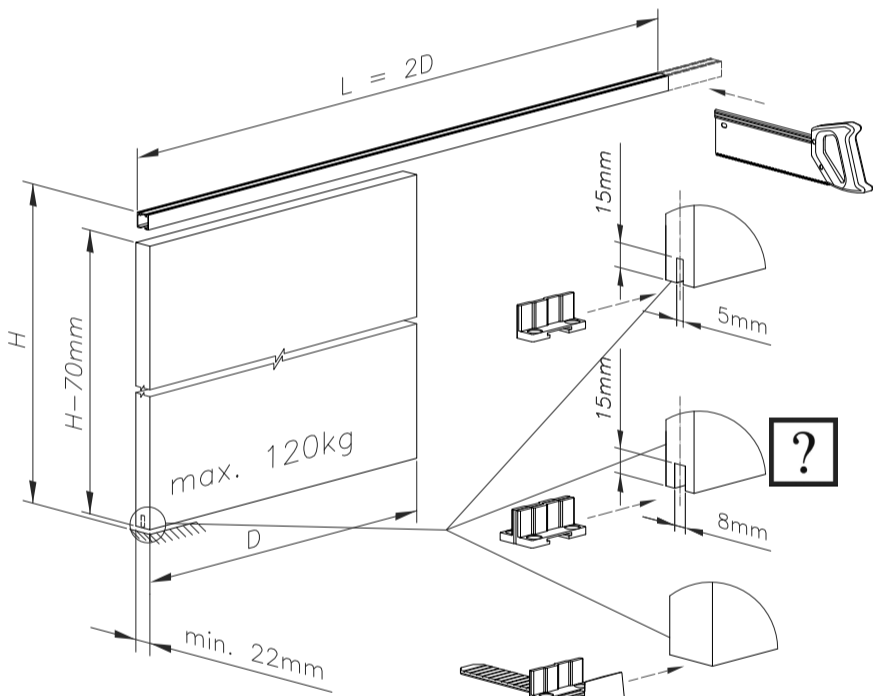
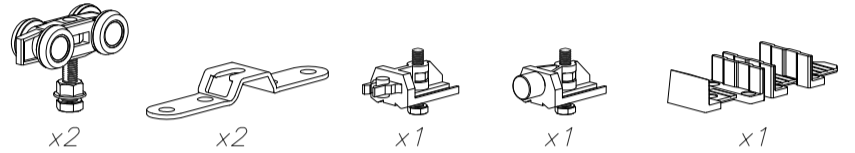
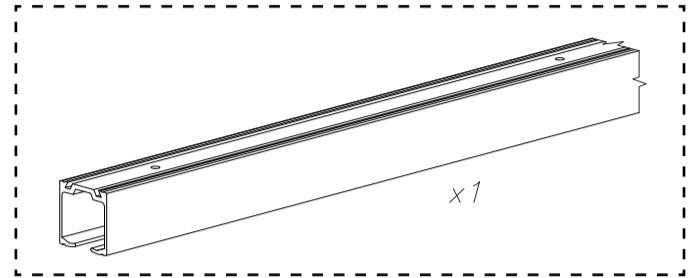


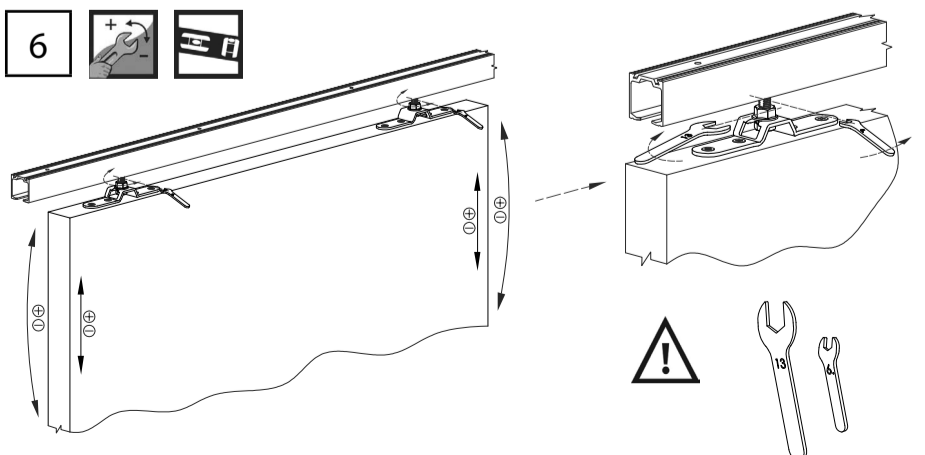
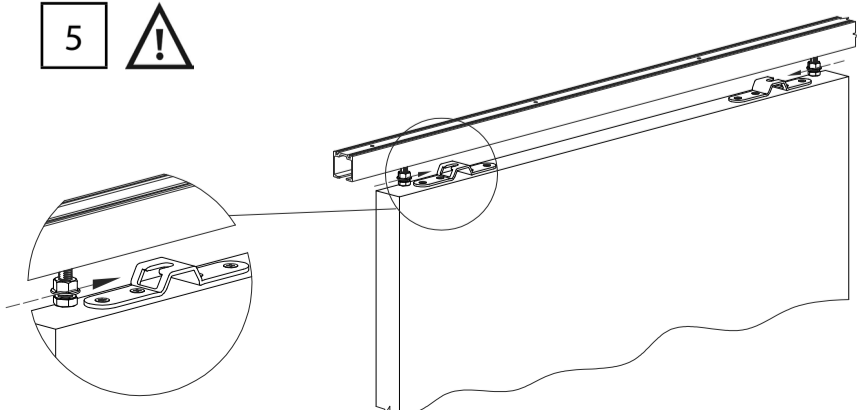
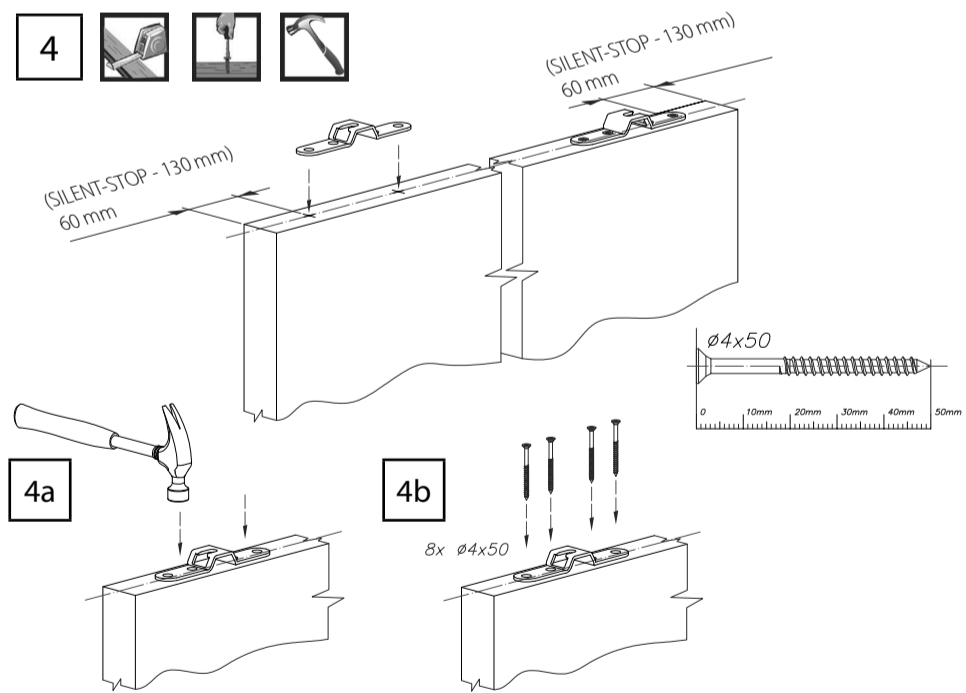
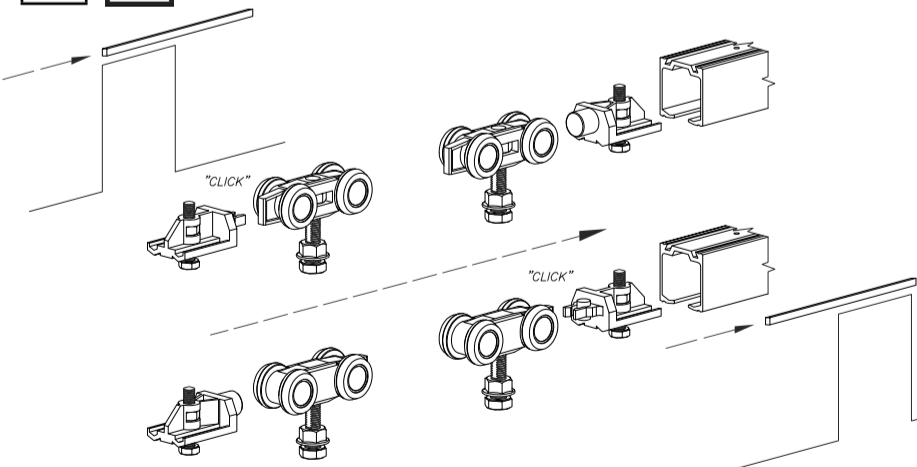
HERKULES 120

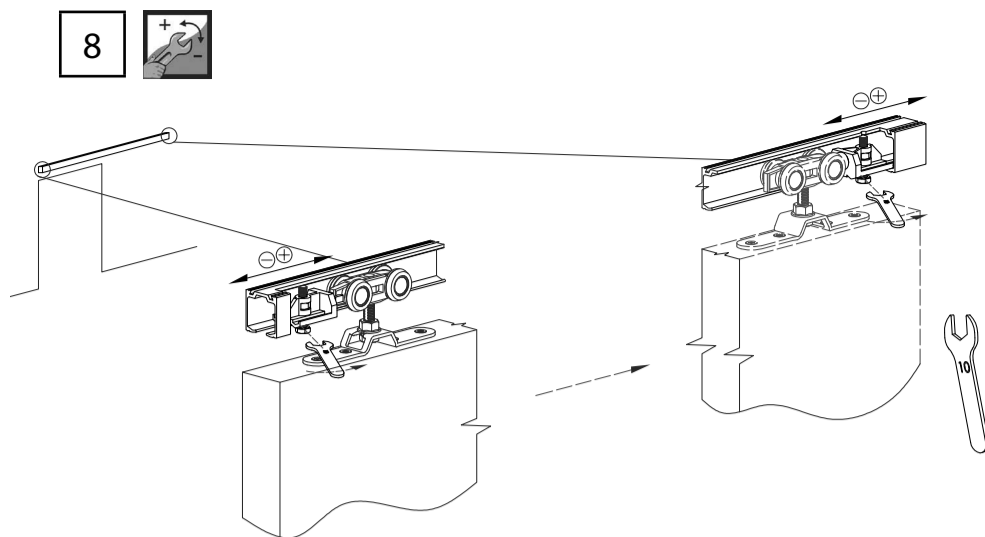
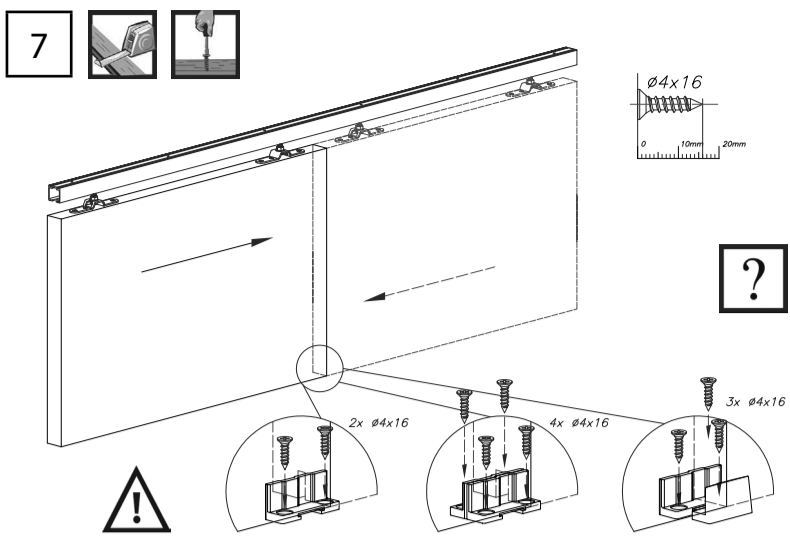


$\phi 4 \times 50$ x8
 $\phi 4 \times 16$ x7

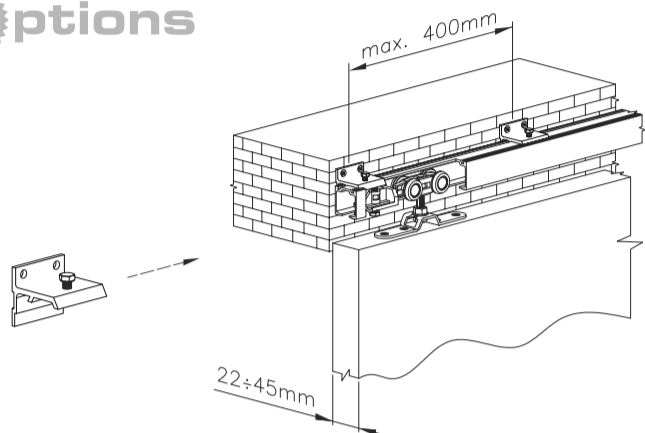


L[mm]	1200	1500	1800
n	5	6	7
L[mm]	2000	2400	3000
n	7	9	11

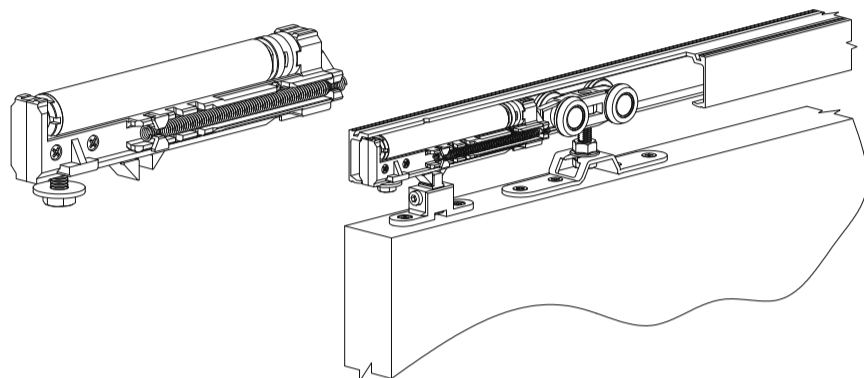




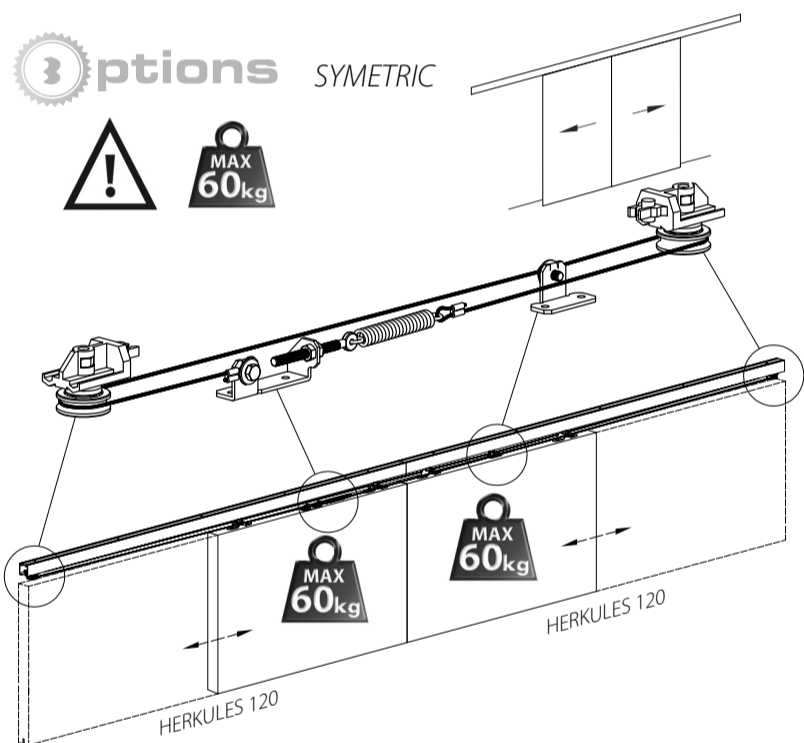
1 options



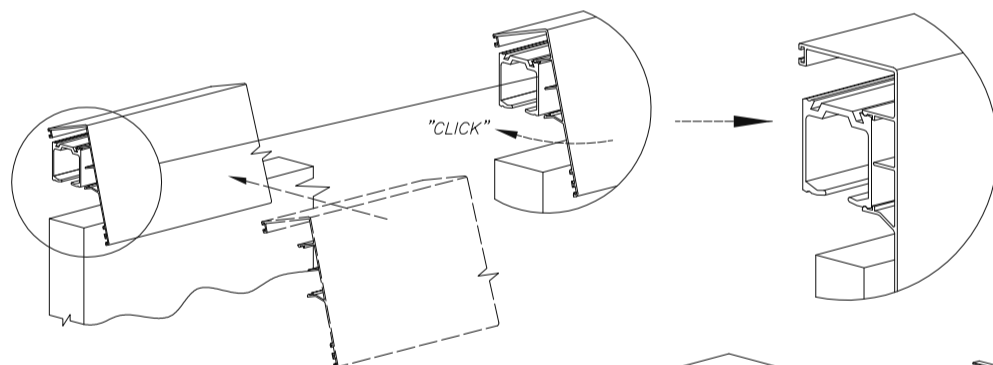
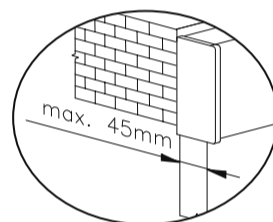
2 options SILENT-STOP



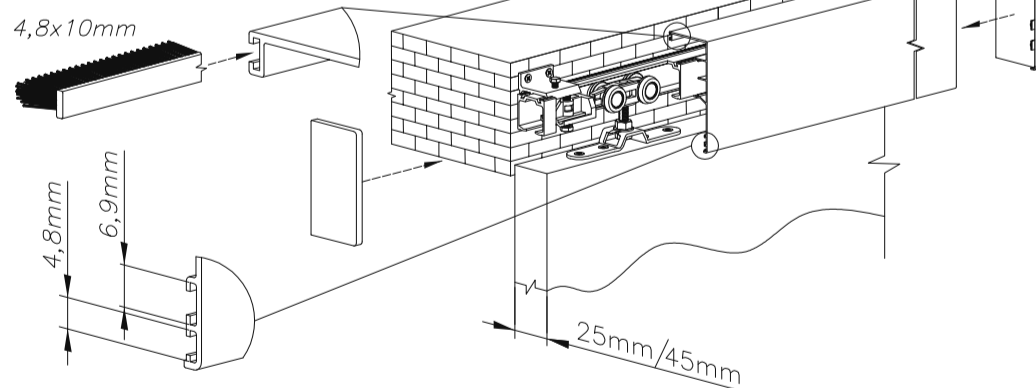
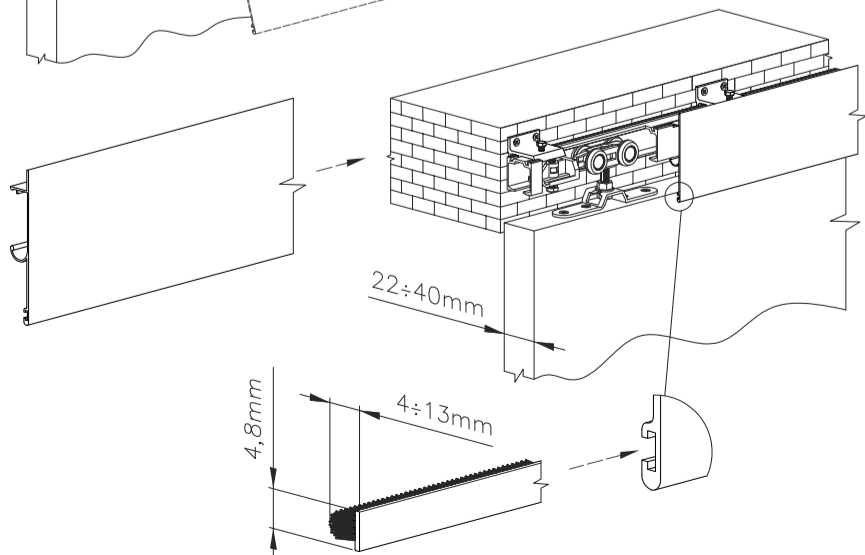
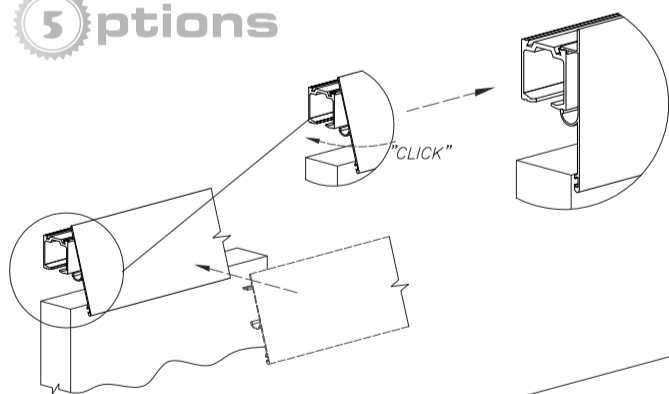
3 options SYMETRIC



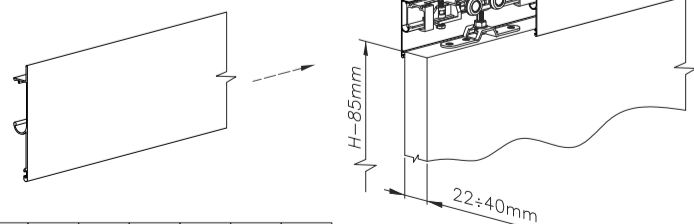
4 options



5 options



6 options



L[mm]	1200	1500	1800	2000	2400	3000
k	5	6	7	7	9	11